

# T903

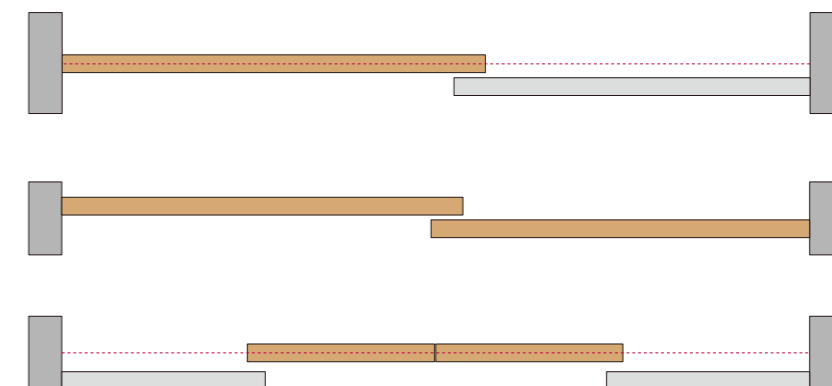
## T903吊滑轮系列 HANGING SLIDING ROLLER SERIES



### 标准配置 ACCESSORIES

型号 Item No:	挂盒 Hanging plate	下导向件 Bottom guide	滑轮&挡件 Runner & Stopper
T903A	 X2		
T903B	 X2	 X1	
T903C	 X2	 X1	
T903D	 X2		
T903E	 X2	 X1	

### 安装方式 INSTALLATION



### 功能与特点 HIGHLIGHTS

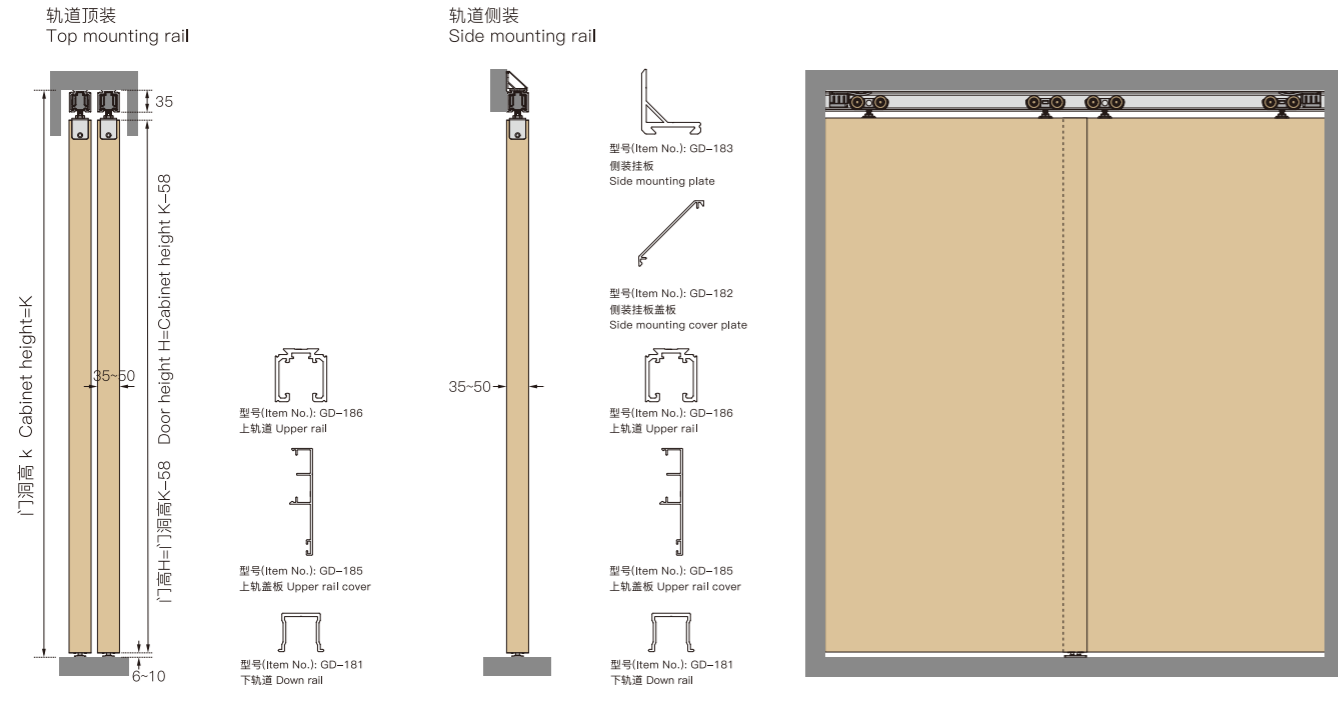
采用高精度滑轮，滑动平稳，顺畅、静音；  
 安装及拆卸便捷；  
 适用于：单扇及双扇木门、铝框门、玻璃门；  
 单门重：≤100kg  
 单门宽：500~1200mm  
 门厚：35~50mm(木门)，30~50mm(铝框门)，8~12mm(玻璃门)

High precise roller, stable, smooth and silent sliding;  
 Easy installation and remove;  
 Apply to Wooden door (Single & Double)、Aluminum frame door、Glass door  
 Single door weight: ≤100kg;  
 Single door width: 500~1200mm;  
 Door thickness: 35~50mm (wooden door), 30~50mm (aluminum frame door), 8~12mm (glass door)

# T903A

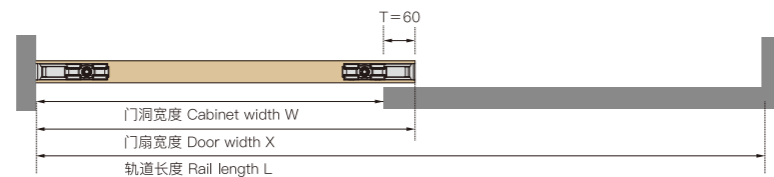
## 吊滑轮 (木门开槽) HANGING SLIDING ROLLER (WOODEN DOOR SLOTTING)

### 安装参数 INSTALLATION



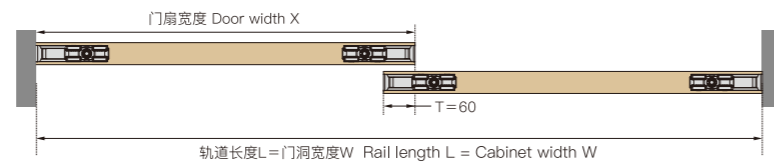
门扇宽度X=门洞宽度W+60  
轨道长度L=门扇宽X\*2-60

Door width X = Cabinet width W+60  
Rail length L = Door width X\*2-60



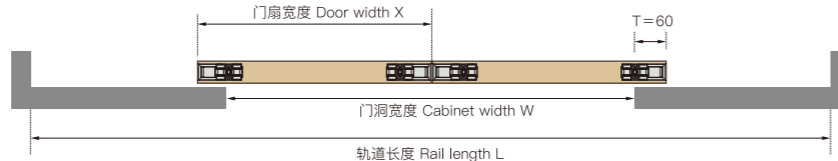
门扇宽度X=门洞宽度W/门数+30  
轨道长度L=门洞宽度W

Door width X = Cabinet width W/doors qty+30  
Rail length L = Cabinet width W

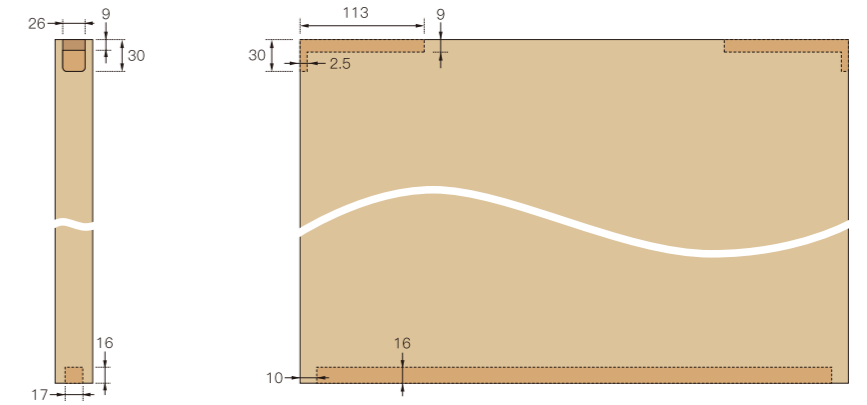


门扇宽度X=门洞宽度W/门数2+60  
轨道长度L=门洞宽W\*2+120

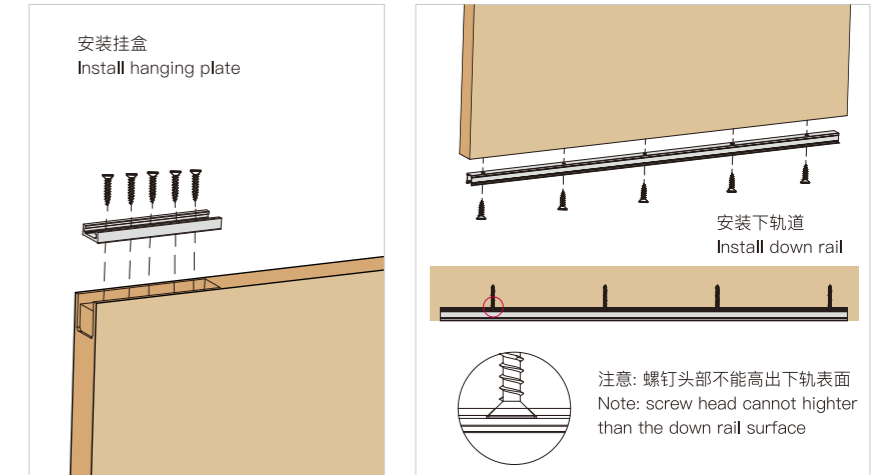
Door width X = Cabinet width W/doors qty2+60  
Rail length L = Cabinet width W\*2+120



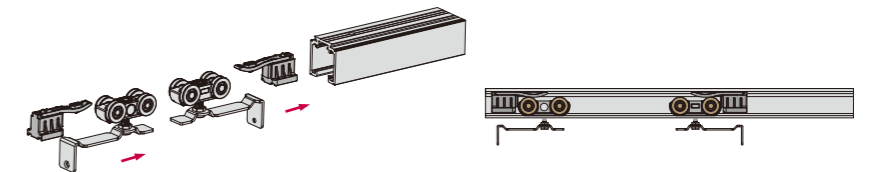
门板开槽  
Door slotting



安装挂盒及下轨道  
Install hanging plate and down rail



将门停组件和滑轮组件依次装入轨道内部  
Stopper components and runners install into the rail



将滑轮组件上的插片插入套内, 用自攻螺钉锁紧;  
调节门扇水平, 安装完成。

Install the insert into sleeve, lock and tighten with screws  
Adjust door level to finish installation

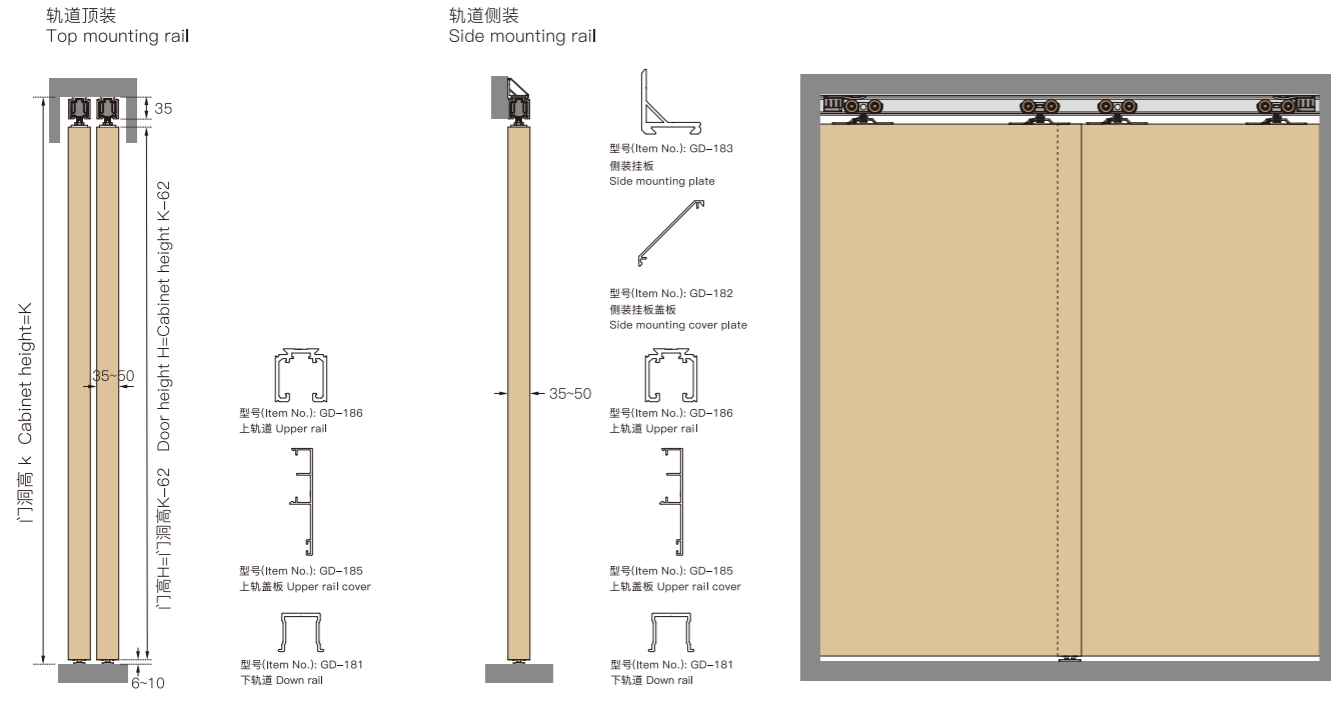




**T903B**

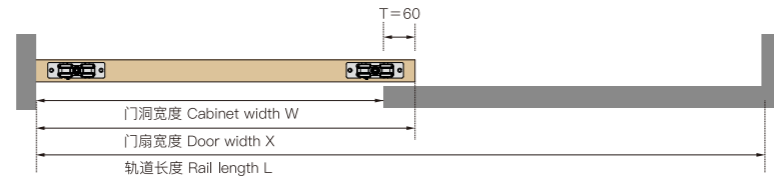
吊滑轮 (木门不开槽) HANGING SLIDING ROLLER (WOODEN DOOR NO NEED SLOTTING)

安装参数 INSTALLATION



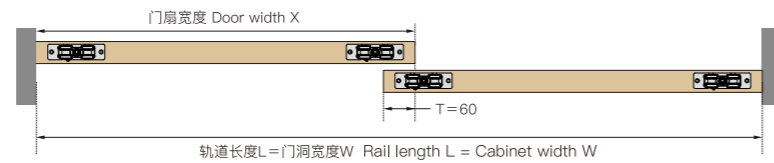
门扇宽度 X = 门洞宽度 W + 60  
 轨道长度 L = 门扇宽 X \* 2 - 60

Door width X = Cabinet width W + 60  
 Rail length L = Door width X \* 2 - 60



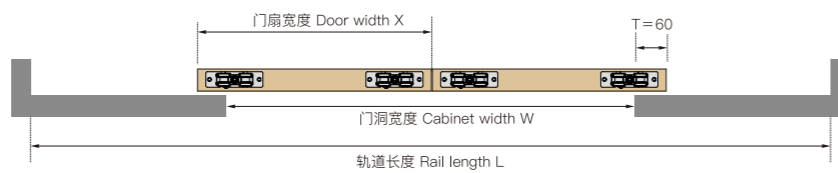
门扇宽度 X = 门洞宽度 W / 门数 + 30  
 轨道长度 L = 门洞宽度 W

Door width X = Cabinet width W / doors qty + 30  
 Rail length L = Cabinet width W

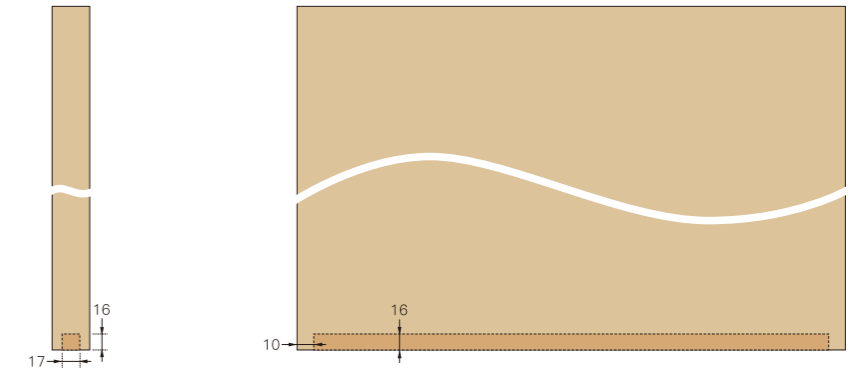


门扇宽度 X = 门洞宽度 W / 门数 \* 2 + 60  
 轨道长度 L = 门洞宽 W \* 2 + 120

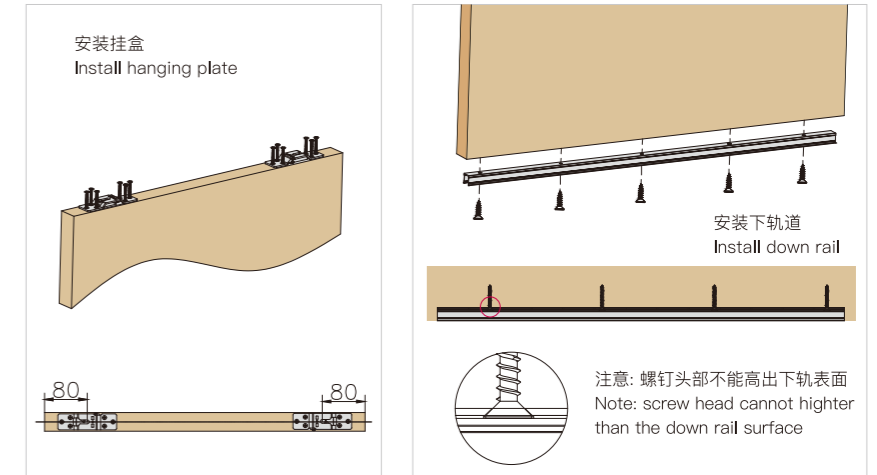
Door width X = Cabinet width W / doors qty \* 2 + 60  
 Rail length L = Cabinet width W \* 2 + 120



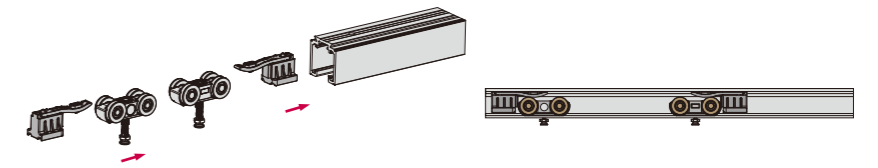
门板开槽  
Door slotting



安装挂盒及下轨道  
Install hanging plate and down rail

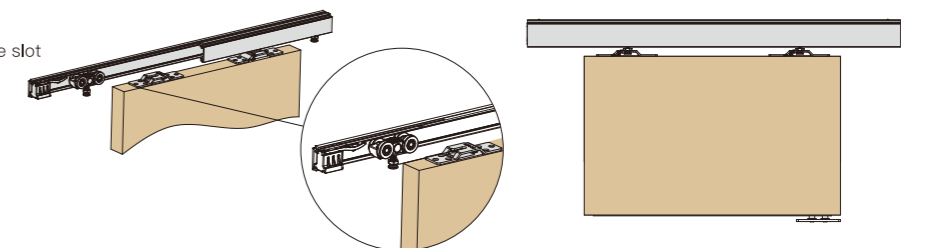


将门停组件和滑轮组件依次装入轨道内部  
Stopper components and runners install into the rail



将门扇抬起把滑轮组件上的螺杆底部卡入挂板槽位, 通过扳手调节门扇水平, 安装完成。

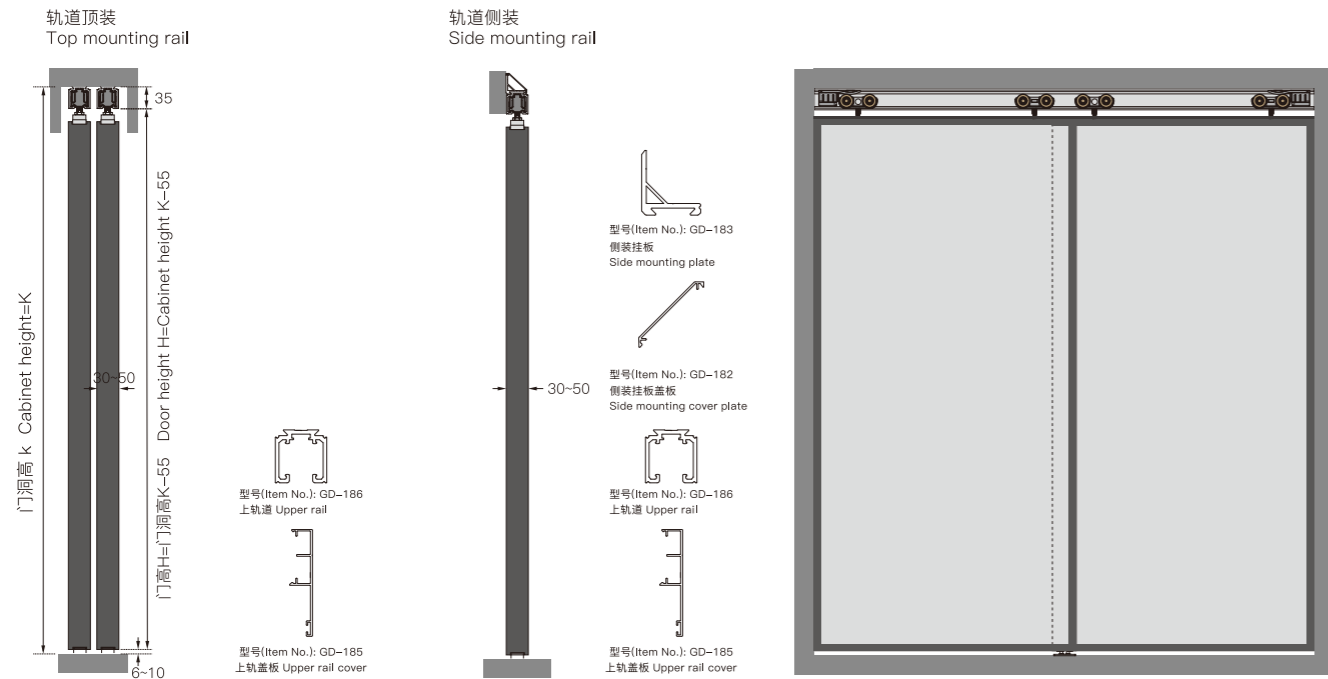
Lift up the door and put the bottom of rod into the slot



**T903C**

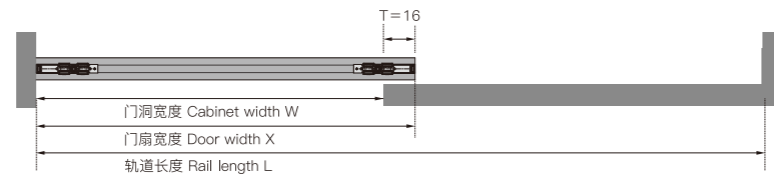
吊滑轮(窄边铝框) HANGING SLIDING ROLLER (NARROW EDGE ALUMINUM FRAME)

安装参数 INSTALLATION



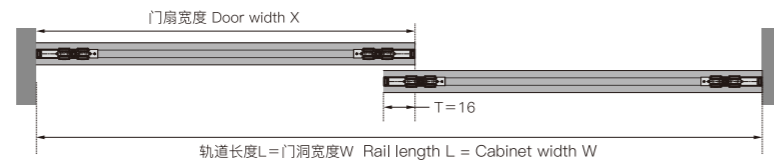
门扇宽度X=门洞宽度W+16  
轨道长度L=门扇宽度X\*2-16

Door width X= Cabinet width W+16  
Rail length L = Door width X\*2-16



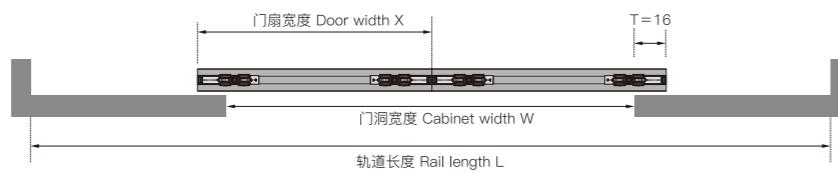
门扇宽度X=门洞宽度W/门数+16  
轨道长度L=门洞宽度W

Door width X = Cabinet width W/doors qty+16  
Rail length L = Cabinet width W



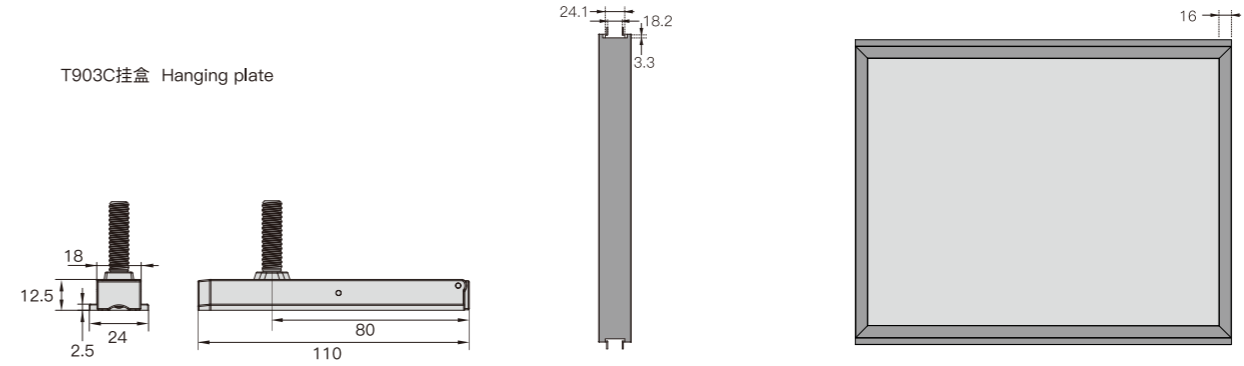
门扇宽度X=门洞宽度W/门数2+16  
轨道长度L=门洞宽度W\*2+32

Door width X = Cabinet width W/doors qty2+16  
Rail length L= Cabinet width W\*2+32

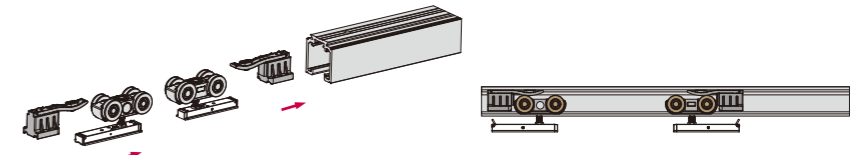


门板 Door panel

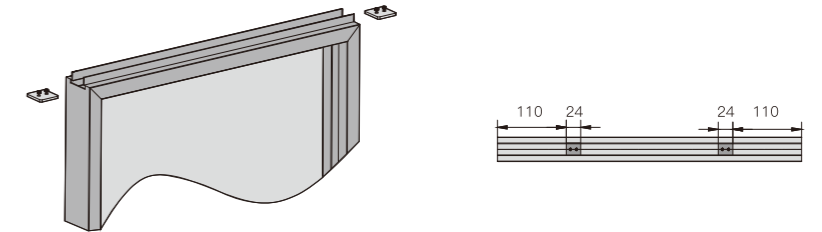
T903C挂盒 Hanging plate



将门停组件和滑轮组件依次装入轨道内部  
Stopper components and runners install into the rail

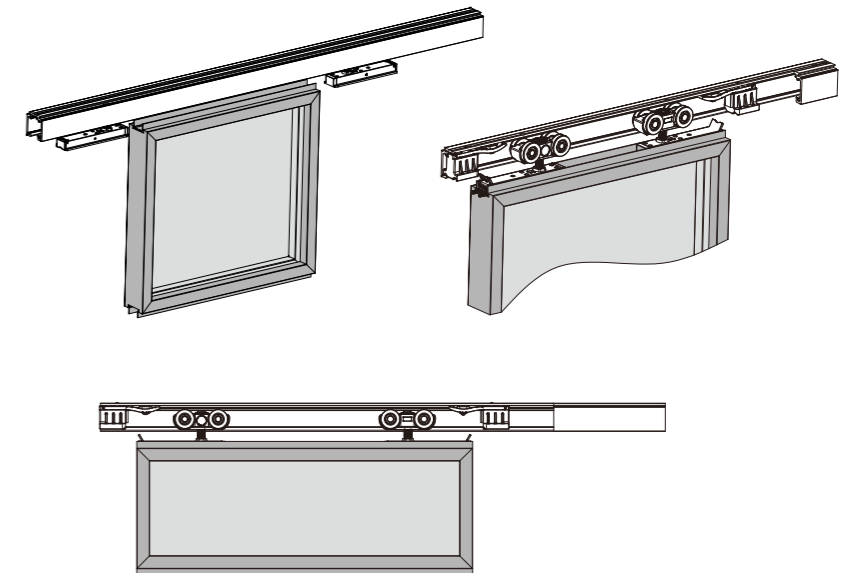


安装防滑出配件  
Install anti-slip accessories



安装门板并调节门扇水平, 安装完成

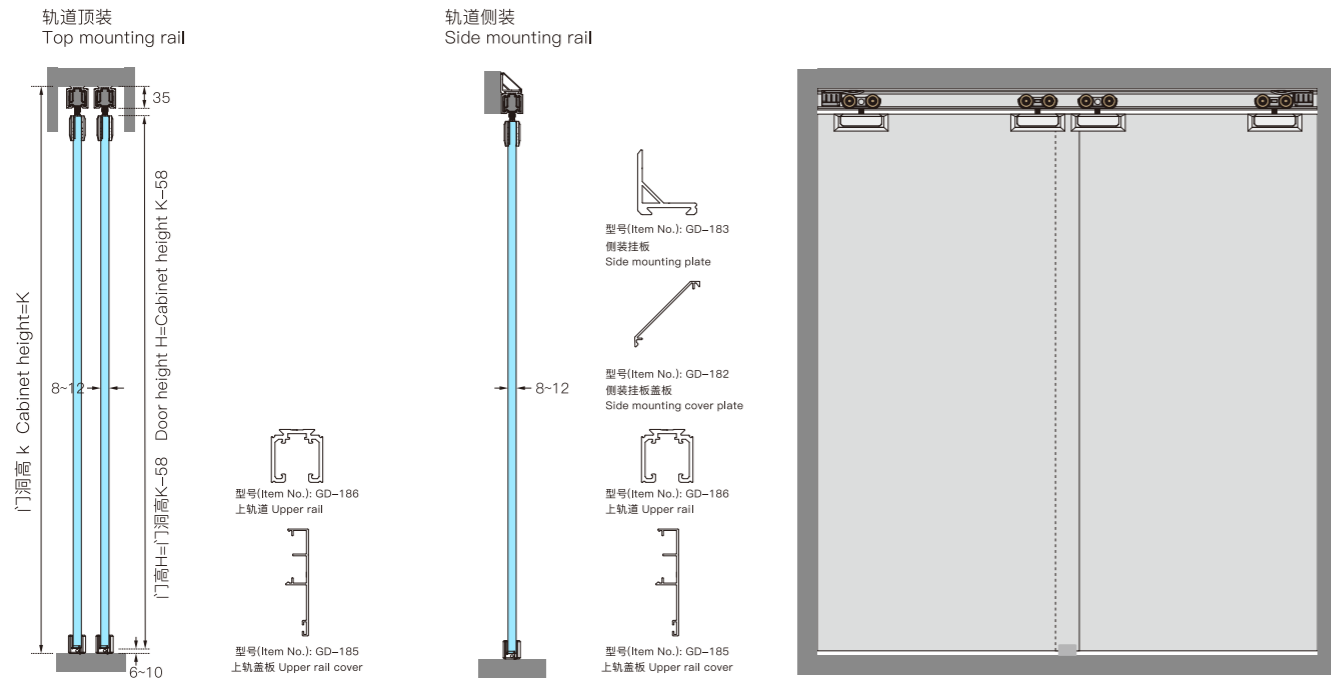
Install door panel and adjust door level to finish installation



**T903D**

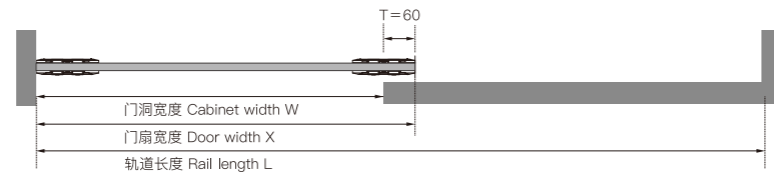
吊滑轮 (玻璃门开槽) HANGING SLIDING ROLLER (GLASS DOOR NEEDS SLOTTING)

安装参数 INSTALLATION



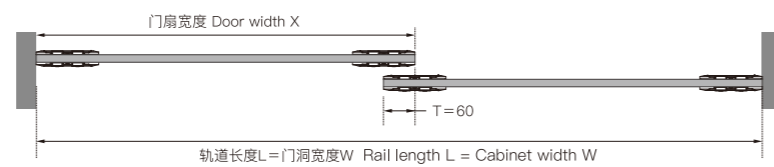
门扇宽度 X = 门洞宽度 W + 60  
 轨道长度 L = 门扇宽 X \* 2 - 60

Door width X = Cabinet width W + 60  
 Rail length L = Door width X \* 2 - 60



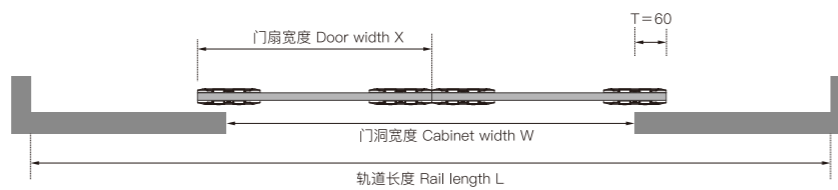
门扇宽度 X = 门洞宽度 W / 门数 + 30  
 轨道长度 L = 门洞宽度 W

Door width X = Cabinet width W / doors qty + 30  
 Rail length L = Cabinet width W

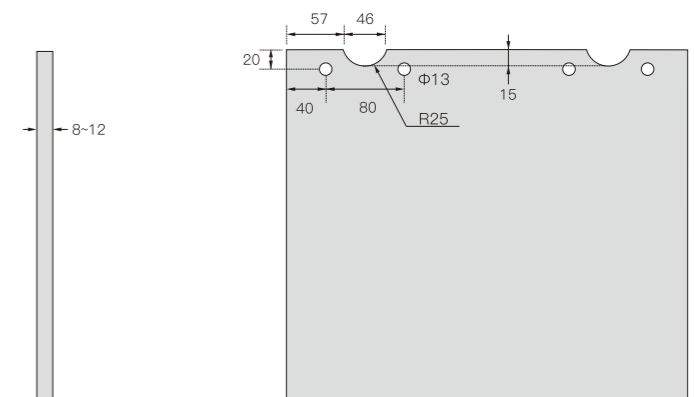


门扇宽度 X = 门洞宽度 W / 门数 \* 2 + 60  
 轨道长度 L = 门洞宽 W \* 2 + 120

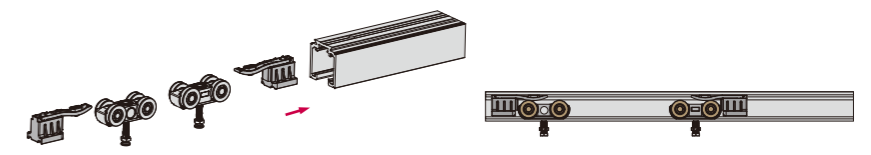
Door width X = Cabinet width W / doors qty \* 2 + 60  
 Rail length L = Cabinet width W \* 2 + 120



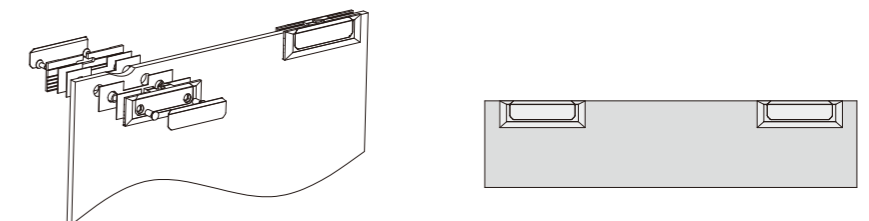
门板开槽  
 Door slotting



将门停组件和滑轮组件依次装入轨道内部  
 Stopper components and runners install into the rail

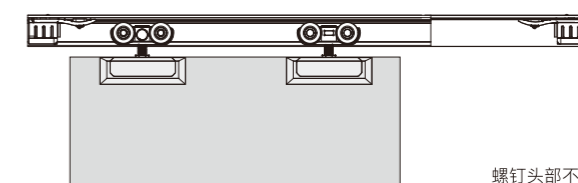
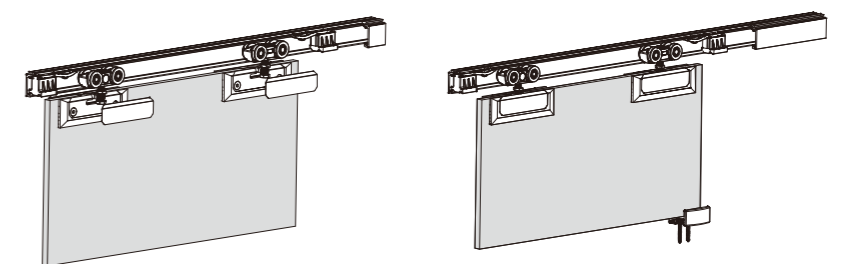


安装玻璃夹  
 Install glass fixer



安装门板并调节门扇水平, 安装完成

Install door panel and adjust door level to finish installation

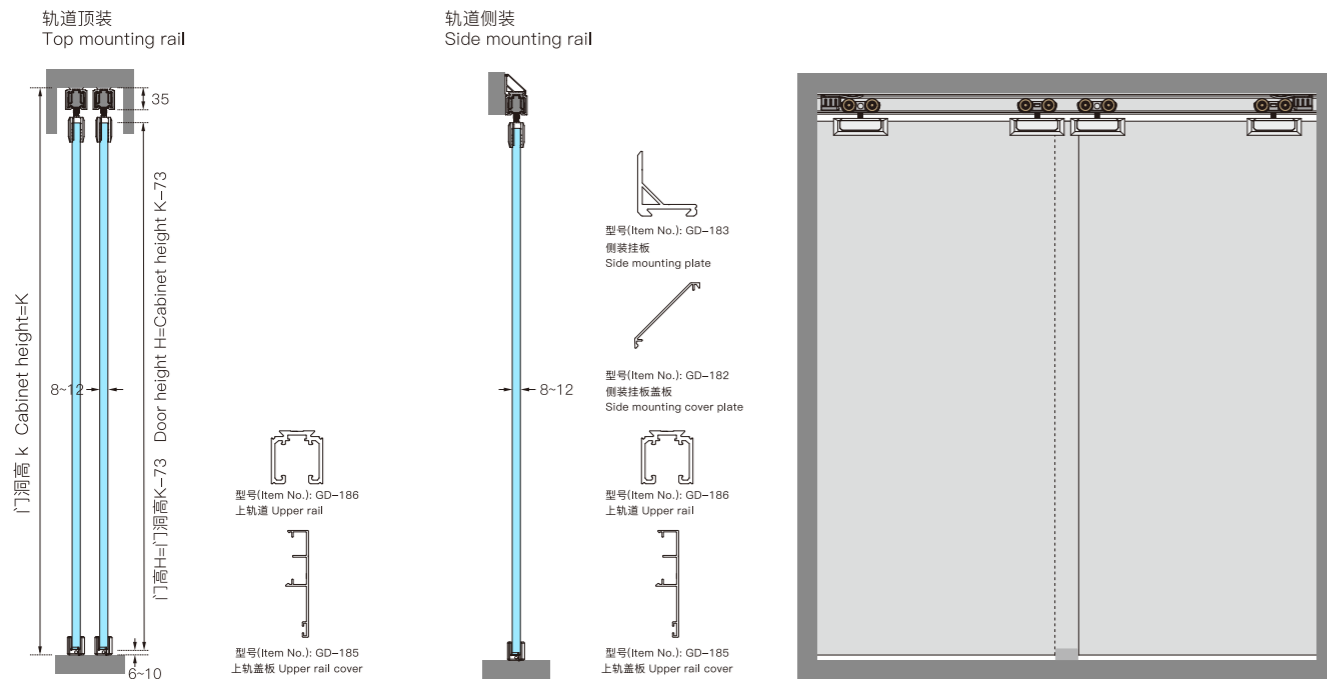


螺钉头部不能高出插片套底部  
 Screw head cannot higher than the bottom sleeve

T903E

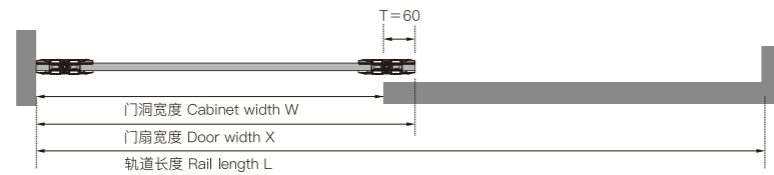
吊滑轮(玻璃门不开槽) HANGING SLIDING ROLLER (GLASS DOOR NO NEED SLOTTING)

安装参数 INSTALLATION



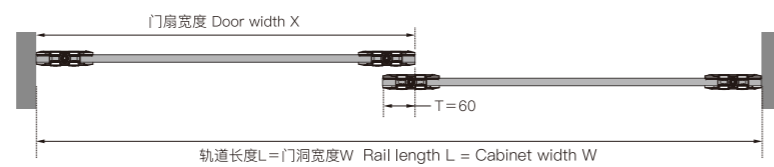
门扇宽度X=门洞宽度W+60  
轨道长度L=门扇宽X\*2-60

Door width X = Cabinet width W+60  
Rail length L = Door width X\*2-60



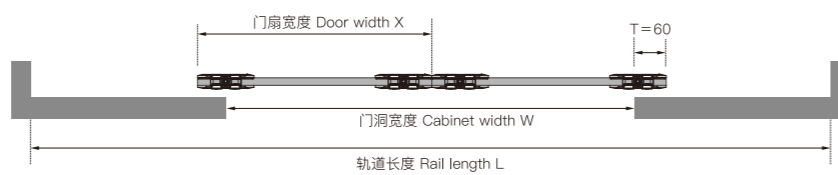
门扇宽度X=门洞宽度W/门数+30  
轨道长度L=门洞宽度W

Door width X = Cabinet width W/doors qty+30  
Rail length L = Cabinet width W



门扇宽度X=门洞宽度W/门数2+60  
轨道长度L=门洞宽W\*2+120

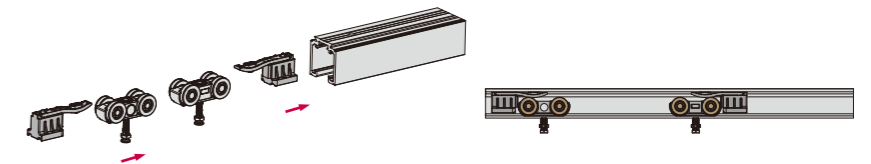
Door width X = Cabinet width W/doors qty2+60  
Rail length L = Cabinet width W\*2+120



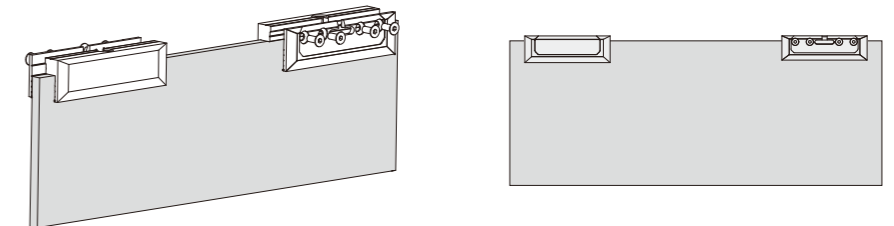
门板 Door panel



将门停组件和滑轮组件依次装入轨道内部  
Stopper components and runners install into the rail

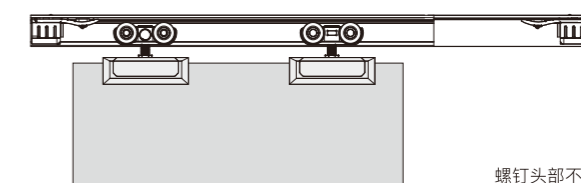
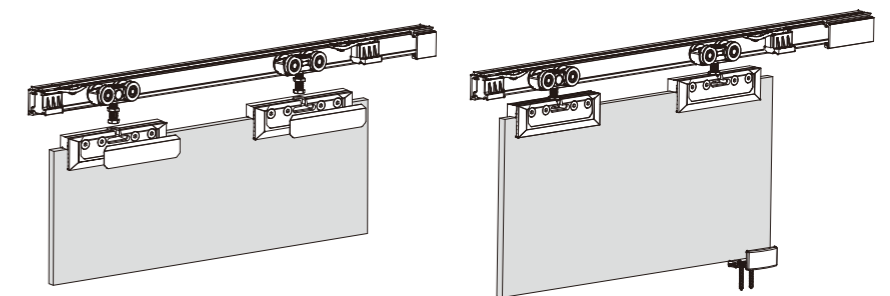


安装玻璃夹  
Install glass fixer



安装门板并调节门扇水平, 安装完成

Install door panel and adjust door level to finish installation



螺钉头部不能高出插片套底部  
Screw head cannot higher than the bottom sleeve



# T904

## T904缓冲吊滑轮系列 SOFT CLOSING HANGING ROLLER SERIES



### 标准配置

### ACCESSORIES

型号 Item No:	挂盒 Hanging plate	下导向件 Bottom guide	滑轮 (单缓冲) & 挡件 Runner (single soft closing) & Stopper	滑轮 (双缓冲) & 挡件 Runner (double soft closing) & Stopper
T904A	 X2			
T904B	 X2	 X1		
T904C	 X2	 X1		
T904D	 X2			
T904E	 X2	 X1	 X1	 X2

类型 Type	门重 (kg) Door weight (kg)	单缓冲门宽 (mm) Single soft door width (mm)	双缓冲门宽 (mm) Double soft closing door width (mm)
轻型 Light-damper	≤60kg	530-1200	820-1200
通用型 Standard-damper	≤80kg	530-1200	820-1200
重型 Heavy-damper	≤100kg	530-1200	820-1200

### 功能与特点

### HIGHLIGHTS

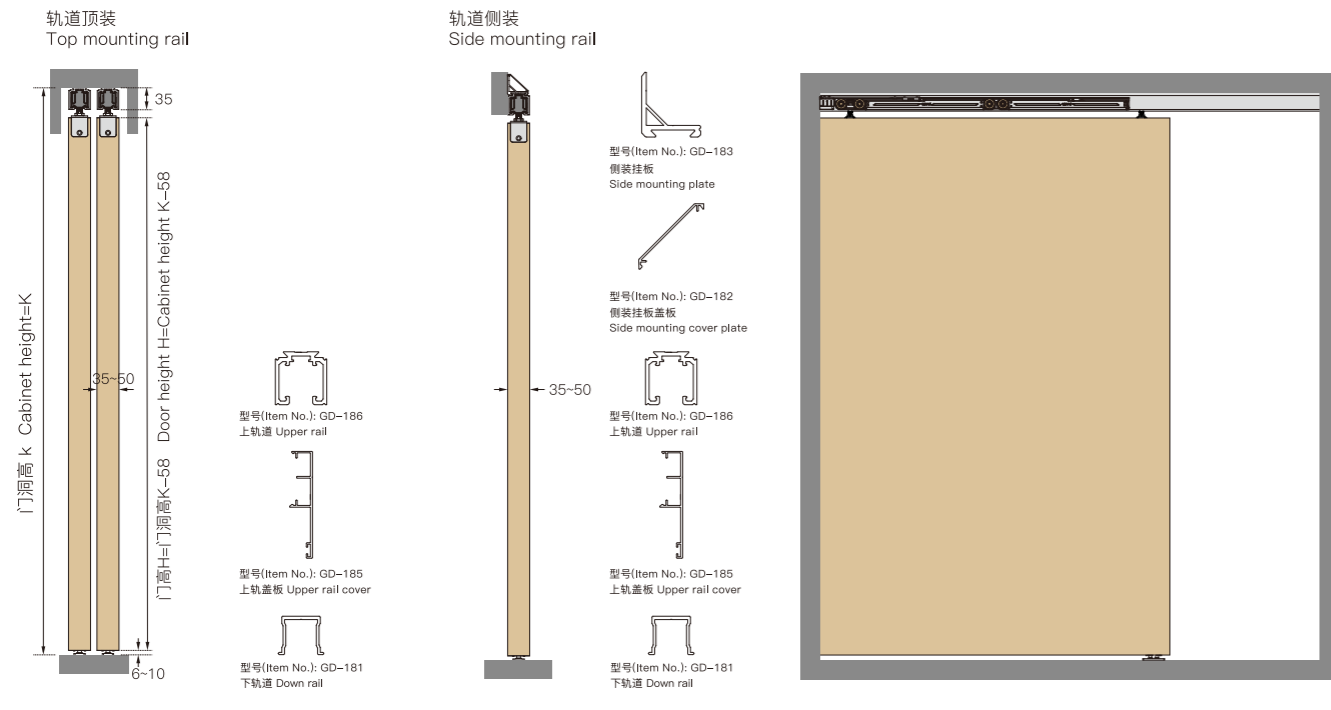
采用高精度滑轮，滑动平稳，顺畅、静音；  
 安装及拆卸便捷；  
 适用于：单扇及双扇木门、铝框门、玻璃门；  
 门厚：35-50mm(木门)，30-50mm(铝框门)，8-12mm(玻璃门)

High precise roller, stable, smooth and silent sliding;  
 Easy installation and remove;  
 Apply to Wooden door (Single & Double)、Aluminum frame door、Glass door  
 Door thickness: 35-50mm (wooden door), 30-50mm (aluminum frame door), 8-12mm (glass door)

# T904A

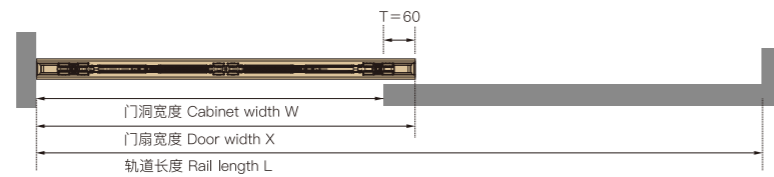
## 缓冲吊滑轮 (木门开槽) SOFT CLOSING HANGING ROLLER (WOODEN DOOR SLOTTING)

### 安装参数 INSTALLATION



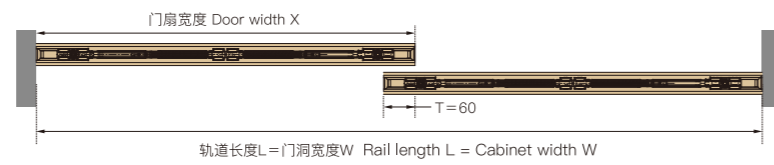
门扇宽度 X = 门洞宽度 W + 60  
 轨道长度 L = 门扇宽 X \* 2 - 60

Door width X = Cabinet width W + 60  
 Rail length L = Door width X \* 2 - 60



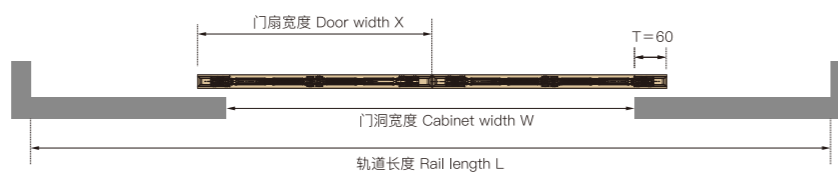
门扇宽度 X = 门洞宽度 W / 门数 + 30  
 轨道长度 L = 门洞宽度 W

Door width X = Cabinet width W / doors qty + 30  
 Rail length L = Cabinet width W

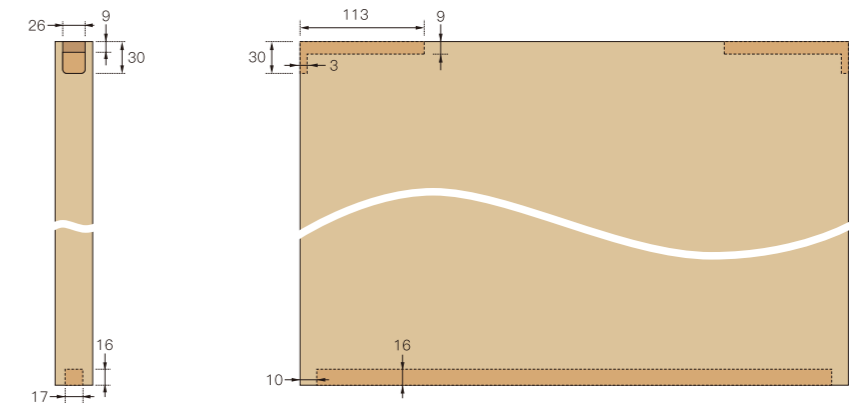


门扇宽度 X = 门洞宽度 W / 门数 \* 2 + 60  
 轨道长度 L = 门洞宽 W \* 2 + 120

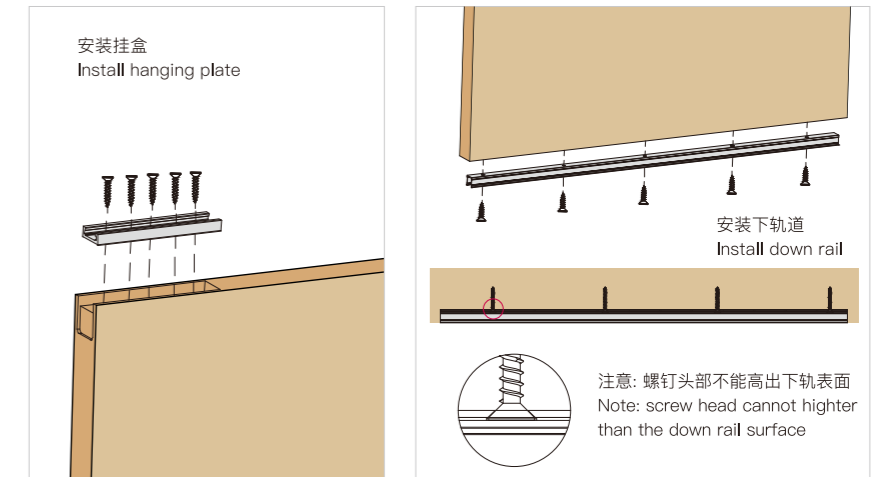
Door width X = Cabinet width W / doors qty \* 2 + 60  
 Rail length L = Cabinet width W \* 2 + 120



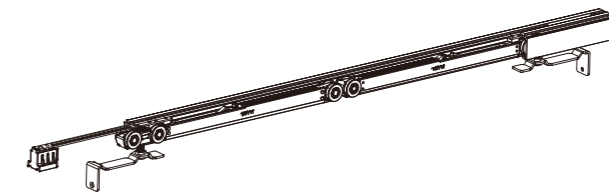
门板开槽  
 Door slotting



安装挂盒及下轨道  
 Install hanging plate and down rail

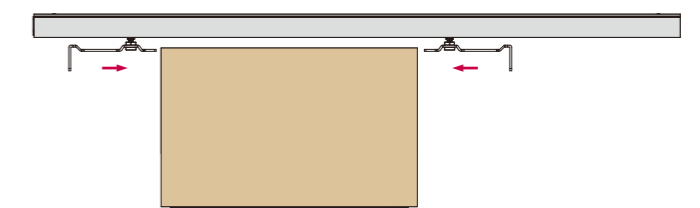


将门停组件和滑轮组件依次装入轨道内部  
 Stopper components and runners install into the rail



将滑轮组件上的插片插入套内, 用自攻螺钉锁紧;  
 调节门扇水平, 安装完成。

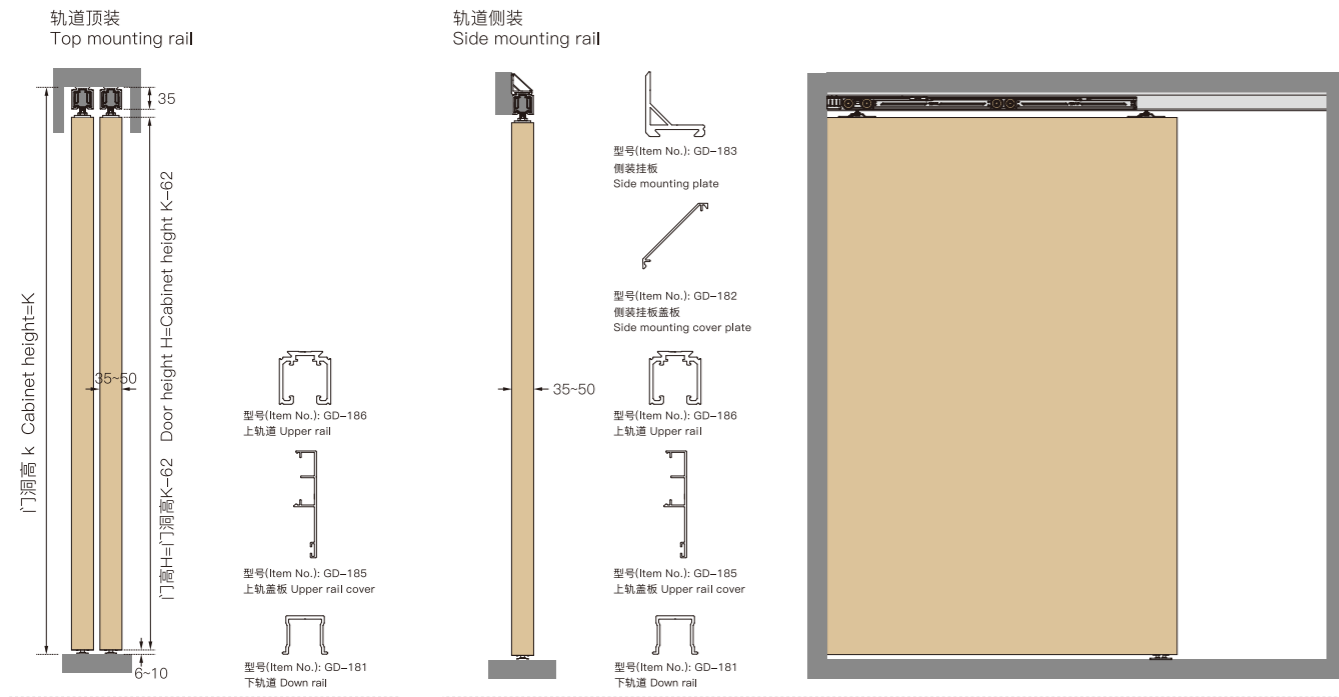
Install the insert into sleeve, lock and tighten with screws  
 Adjust door level to finish installation



# T904B

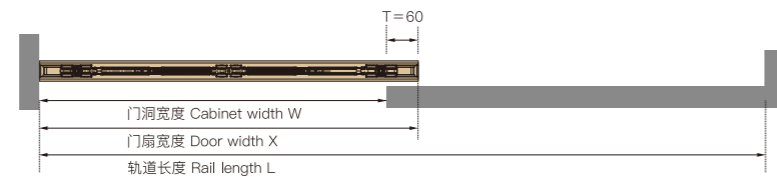
缓冲吊滑轮 (木门不开槽) SOFT CLOSING HANGING ROLLER (WOODEN DOOR NO NEED SLOTTING)

## 安装参数 INSTALLATION



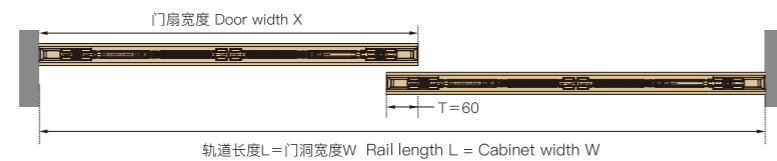
门扇宽度X=门洞宽度W+60  
 轨道长度L=门扇宽X\*2-60

Door width X = Cabinet width W+60  
 Rail length L = Door width X\*2-60



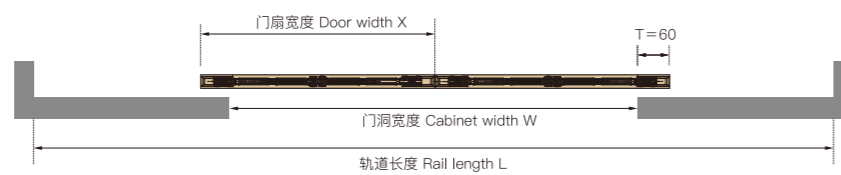
门扇宽度X=门洞宽度W/门数+30  
 轨道长度L=门洞宽度W

Door width X = Cabinet width W/doors qty+30  
 Rail length L = Cabinet width W

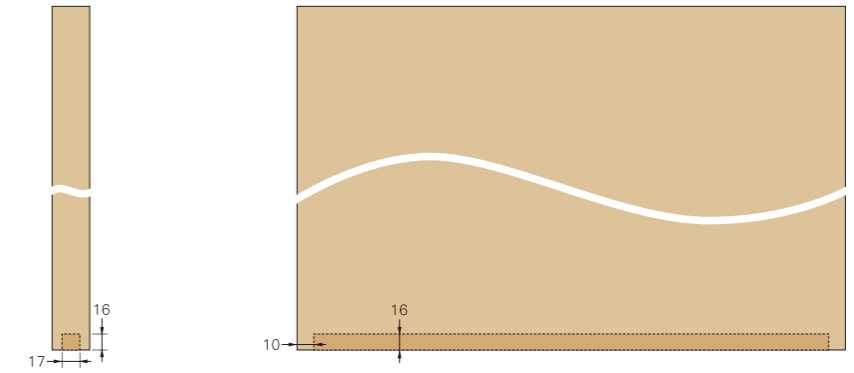


门扇宽度X=门洞宽度W/门数2+60  
 轨道长度L=门洞宽W\*2+120

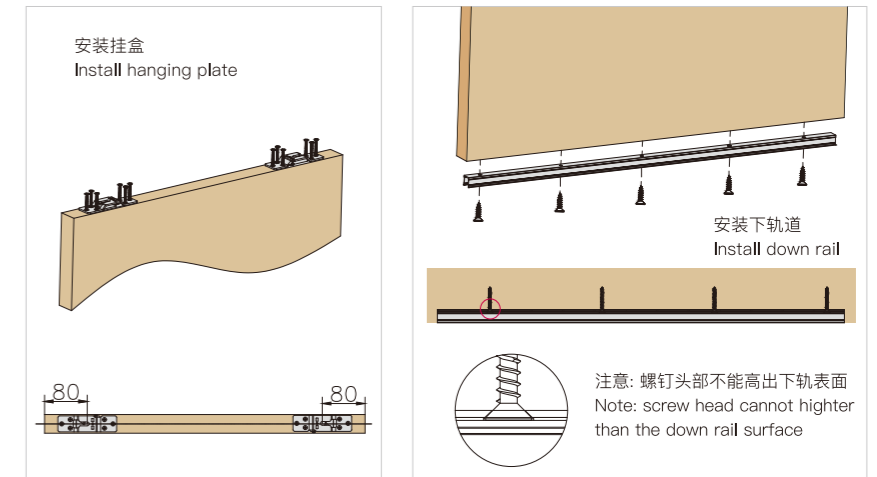
Door width X = Cabinet width W/doors qty2+60  
 Rail length L = Cabinet width W\*2+120



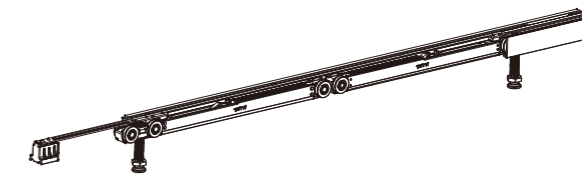
门板开槽  
 Door slotting



安装挂盒及下轨道  
 Install hanging plate and down rail

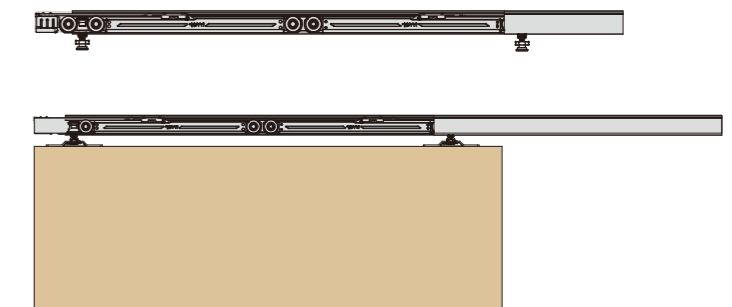


将门停组件和滑轮组件依次装入轨道内部  
 Stopper components and runners install into the rail



将门扇抬起把滑轮组件上的螺杆底部卡入挂板槽位,  
 通过扳手调节门扇水平, 安装完成。

Lift up the door and put the bottom of rod into the slot

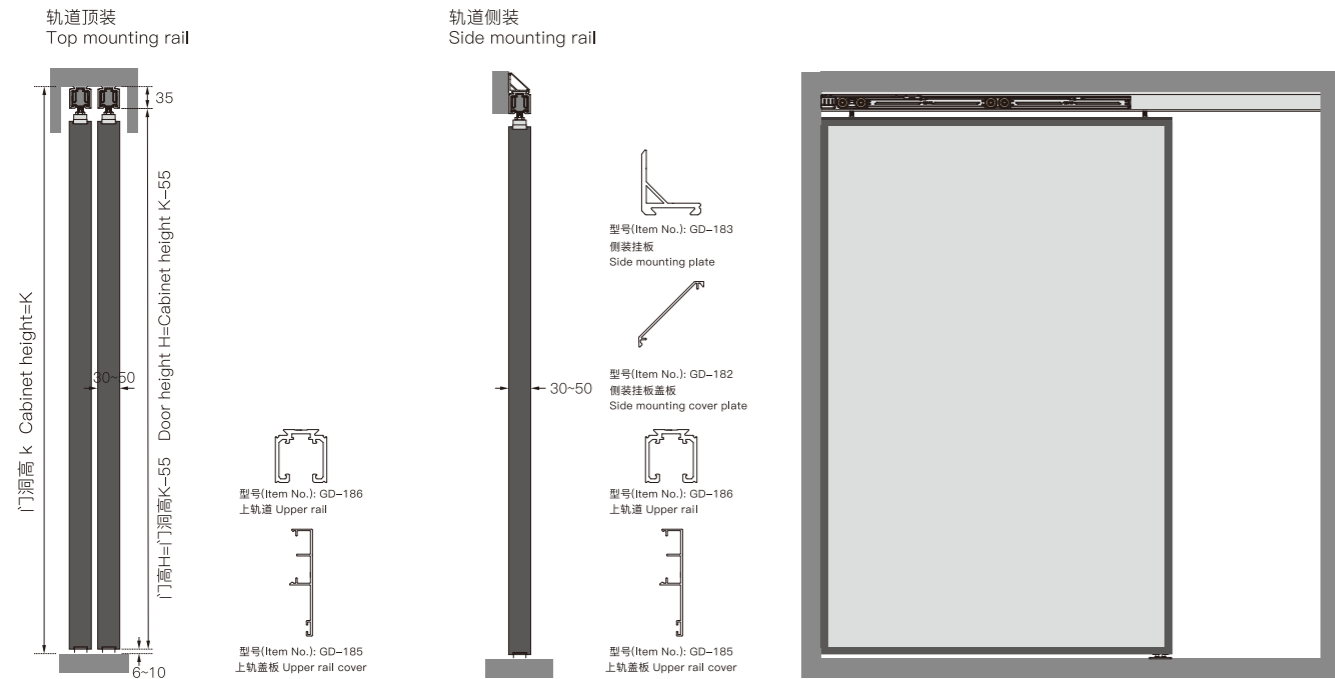




# T904C

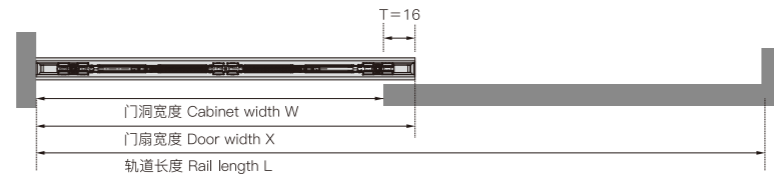
缓冲吊滑轮 (窄边铝框) SOFT CLOSING HANGING ROLLER (NARROW EDGE ALUMINUM FRAME)

## 安装参数 INSTALLATION



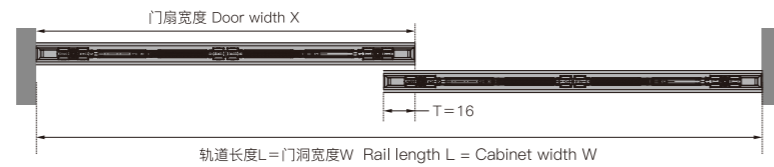
门扇宽度  $X = \text{门洞宽度 } W + 16$   
 轨道长度  $L = \text{门扇宽度 } X * 2 - 16$

Door width  $X = \text{Cabinet width } W + 16$   
 Rail length  $L = \text{Door width } X * 2 - 16$



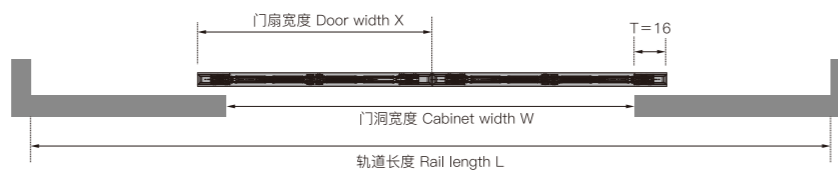
门扇宽度  $X = \text{门洞宽度 } W / \text{门数} + 8$   
 轨道长度  $L = \text{门洞宽度 } W$

Door width  $X = \text{Cabinet width } W / \text{doors qty} + 8$   
 Rail length  $L = \text{Cabinet width } W$



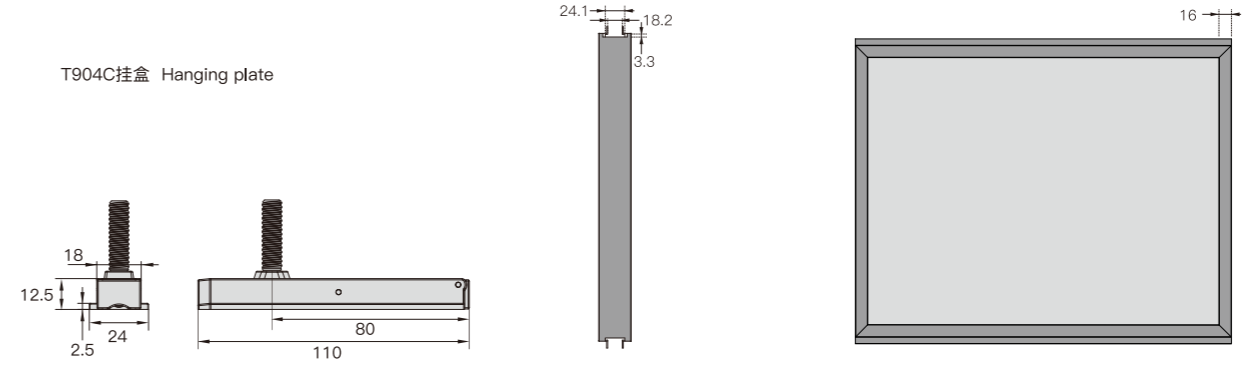
门扇宽度  $X = \text{门洞宽度 } W / \text{门数} * 2 + 16$   
 轨道长度  $L = \text{门洞宽度 } W * 2 + 32$

Door width  $X = \text{Cabinet width } W / \text{doors qty} * 2 + 16$   
 Rail length  $L = \text{Cabinet width } W * 2 + 32$

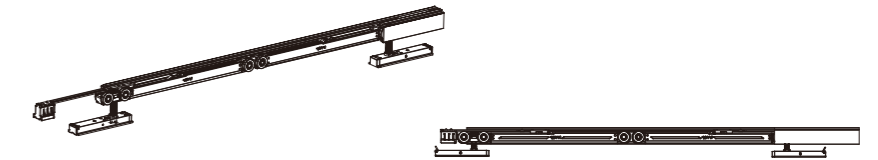


门板 Door panel

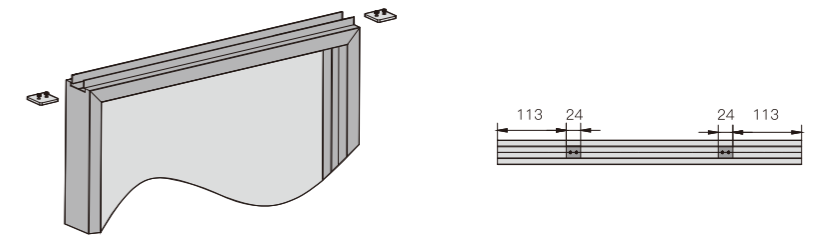
T904C挂盒 Hanging plate



将门停组件和滑轮组件依次装入轨道内部  
 Stopper components and runners install into the rail

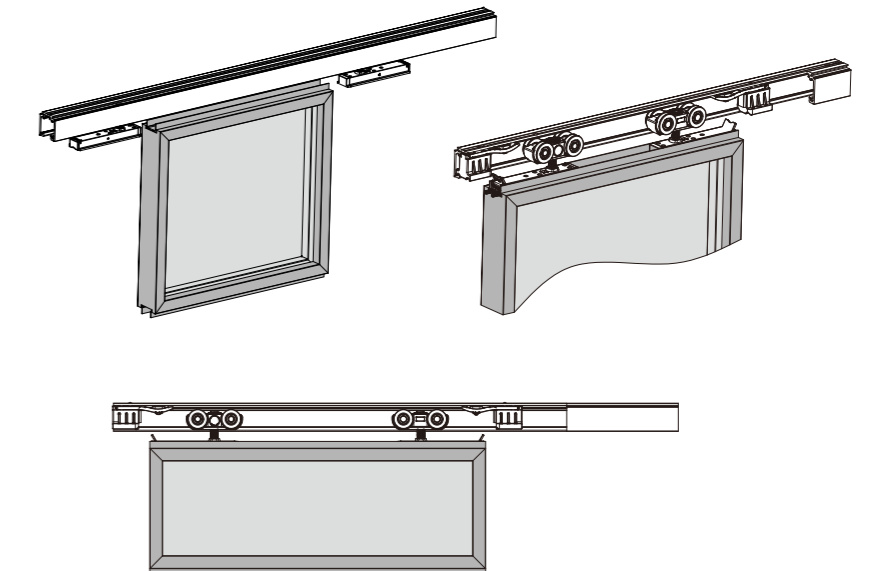


安装防滑出配件  
 Install anti-slip accessories



安装门板并调节门扇水平, 安装完成

Install door panel and adjust door level to finish installation

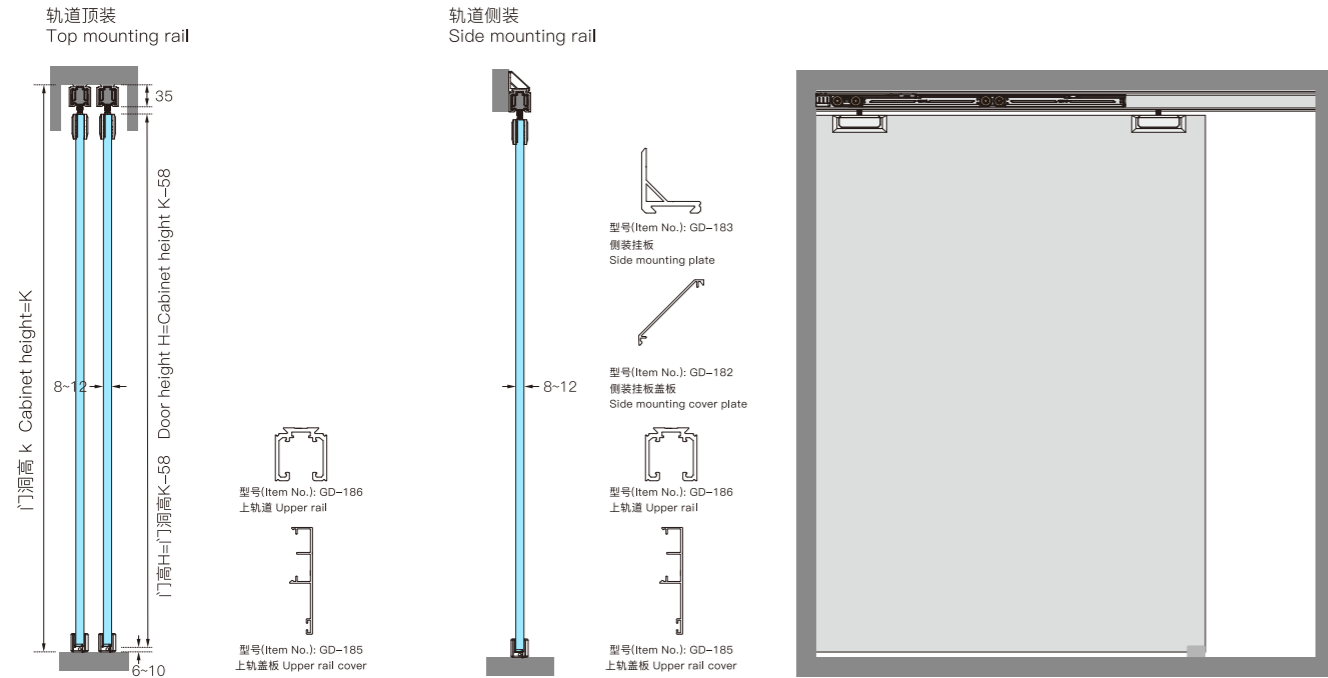




T904D

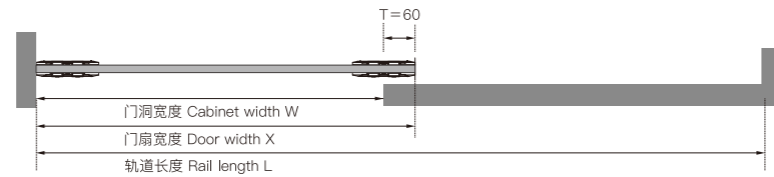
缓冲吊滑轮 (玻璃门开槽) SOFT CLOSING HANGING ROLLER (GLASS DOOR NEEDS SLOTTING)

安装参数 INSTALLATION



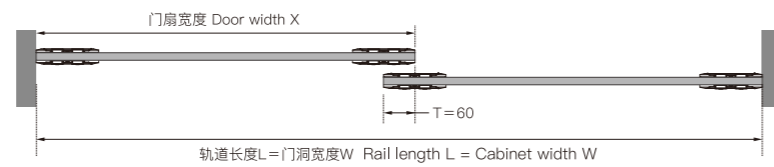
门扇宽度X=门洞宽度W+60  
轨道长度L=门扇宽X\*2-60

Door width X = Cabinet width W+60  
Rail length L = Door width X\*2-60



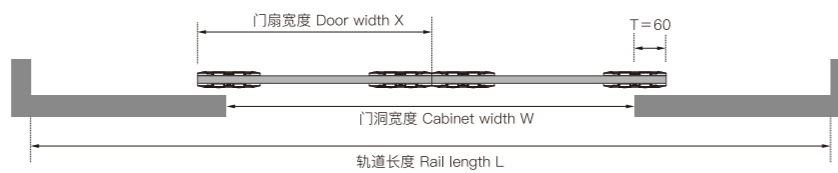
门扇宽度X=门洞宽度W/门数+30  
轨道长度L=门洞宽度W

Door width X = Cabinet width W/doors qty+30  
Rail length L = Cabinet width W

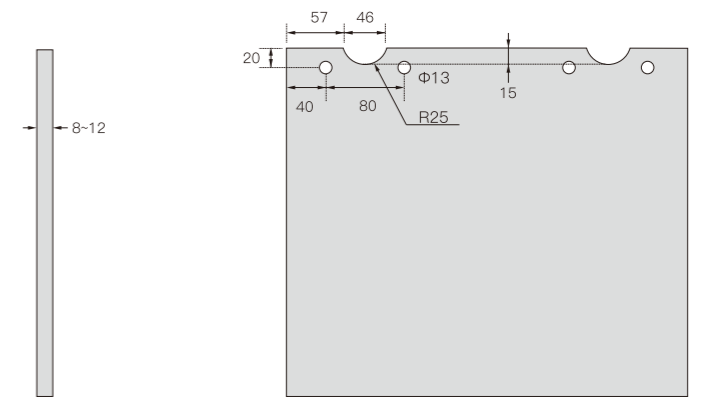


门扇宽度X=门洞宽度W/门数2+60  
轨道长度L=门洞宽W\*2+120

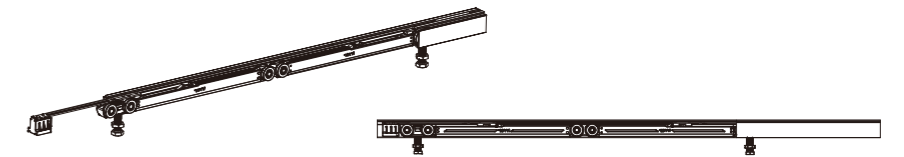
Door width X = Cabinet width W/doors qty2+60  
Rail length L = Cabinet width W\*2+120



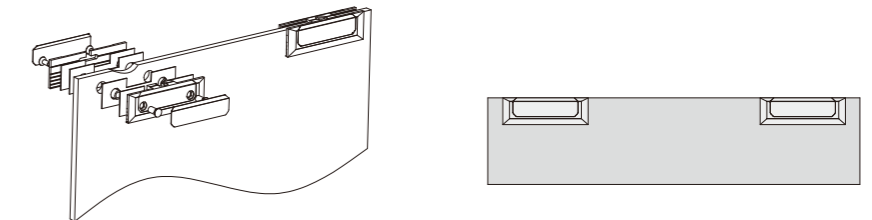
门板开槽  
Door slotting



将门停组件和滑轮组件依次装入轨道内部  
Stopper components and runners install into the rail

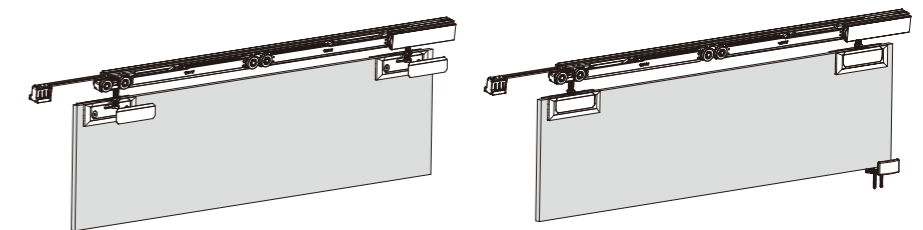


安装玻璃夹  
Install glass fixer



安装门板并调节门扇水平, 安装完成

Install door panel and adjust door level to finish installation



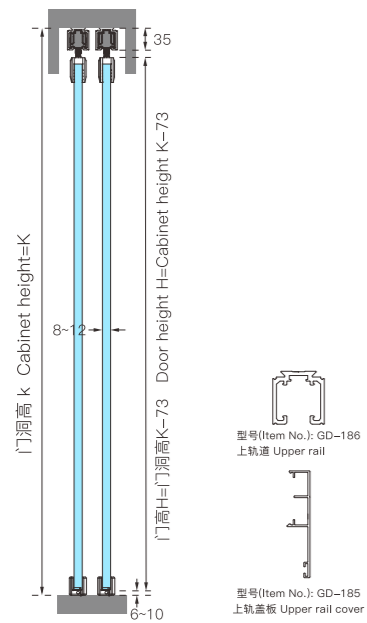
螺钉头部不能高出插片套底部  
Screw head cannot higher than the bottom sleeve

T904E

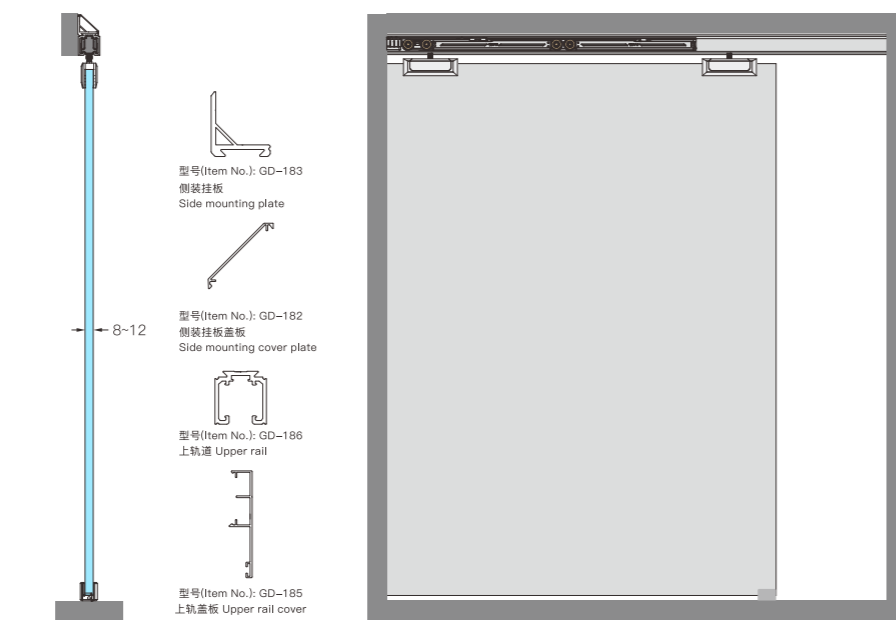
缓冲吊滑轮 (玻璃门不开槽) SOFT CLOSING HANGING ROLLER (NO NEED SLOTTING)

安装参数 INSTALLATION

轨道顶装  
Top mounting rail

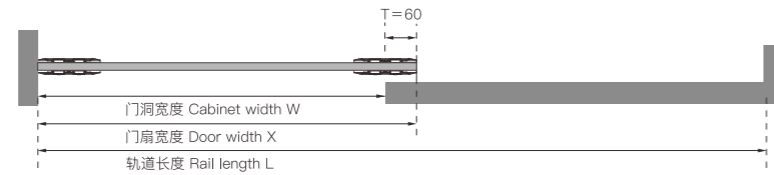


轨道侧装  
Side mounting rail



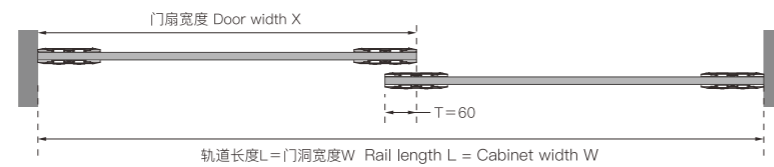
门扇宽度 X = 门洞宽度 W + 60  
轨道长度 L = 门扇宽度 X \* 2 - 60

Door width X = Cabinet width W + 60  
Rail length L = Door width X \* 2 - 60



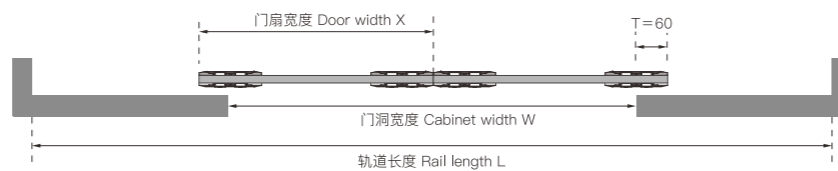
门扇宽度 X = 门洞宽度 W / 门数 + 30  
轨道长度 L = 门洞宽度 W

Door width X = Cabinet width W / doors qty + 30  
Rail length L = Cabinet width W



门扇宽度 X = 门洞宽度 W / 门数 \* 2 + 60  
轨道长度 L = 门洞宽度 W \* 2 + 120

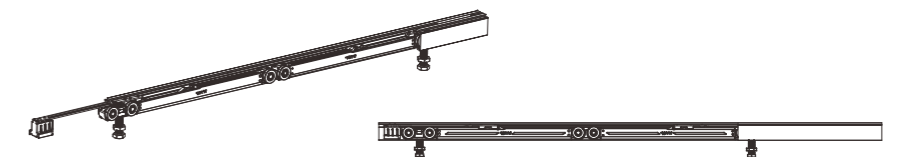
Door width X = Cabinet width W / doors qty \* 2 + 60  
Rail length L = Cabinet width W \* 2 + 120



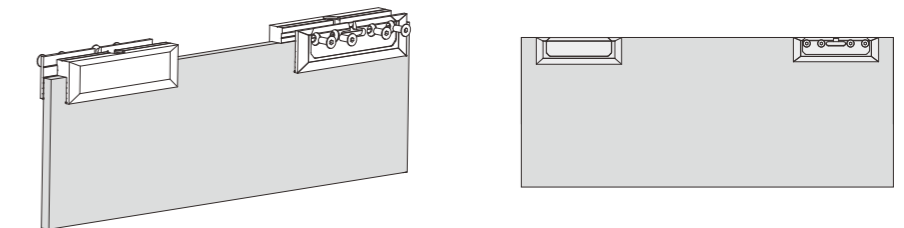
门板 Door panel



将门停组件和滑轮组件依次装入轨道内部  
Stopper components and runners install into the rail

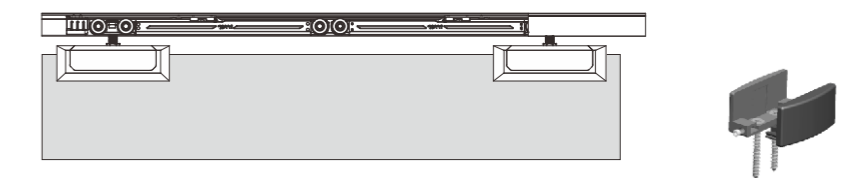
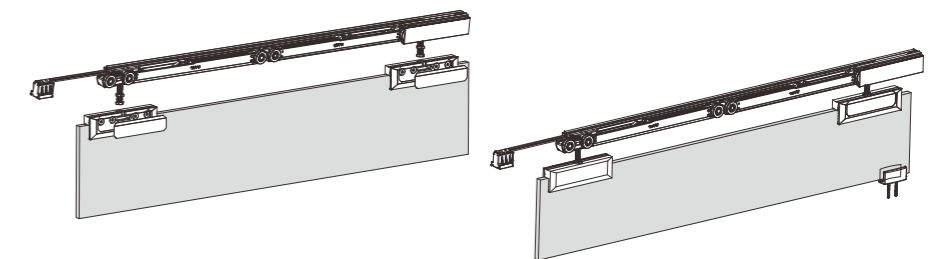


安装玻璃夹  
Install glass fixer



安装门板并调节门扇水平, 安装完成

Install door panel and adjust door level to finish installation



螺钉头部不能高出插片套底部  
Screw head cannot be higher than the bottom sleeve

# T905

## T905双缓冲吊滑轮系列 DOUBLE SOFT CLOSING HANGING ROLLER SERIES



### 标准配置

### ACCESSORIES

型号 Item No:	挂盒 Hanging plate	下导向件 Bottom guide	滑轮 (双缓冲) & 挡件 Runner (double soft closing) & Stopper
T905A	 X2		
T905B	 X2	 X1	
T905C	 X2	 X1	
T905D	 X2		
T905E	 X2	 X1	

类型 Type	门重 (kg) Door weight (kg)	门宽 (mm) Door width (mm)
轻型 Light-damper	≤60kg	580-1200
通用型 Standard-damper	≤80kg	580-1200
重型 Heavy-damper	≤100kg	580-1200

### 功能与特点

### HIGHLIGHTS

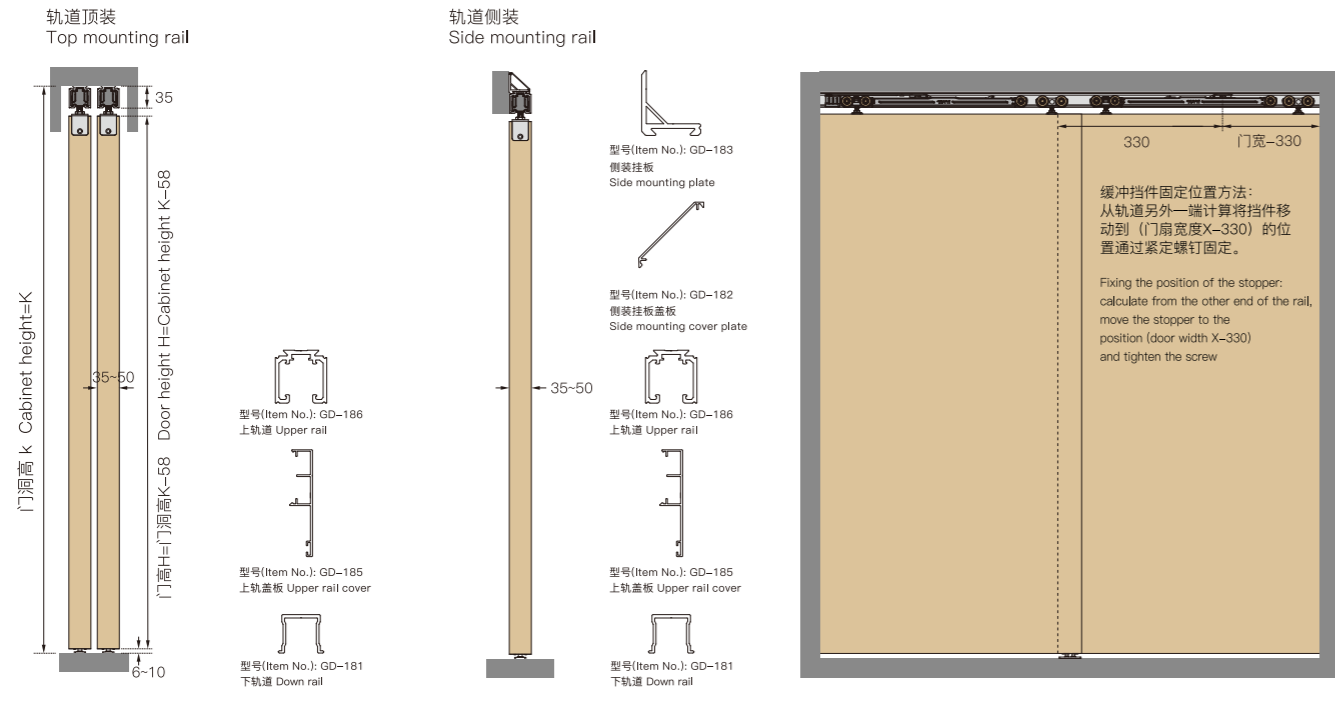
采用高精度滑轮，滑动平稳，顺畅、静音；  
 安装及拆卸便捷；  
 适用于：单扇及双扇木门、铝框门、玻璃门；  
 门厚：35-50mm(木门)，30-50mm(铝框门)，8-12mm(玻璃门)

High precise roller, stable, smooth and silent sliding;  
 Easy installation and remove;  
 Apply to Wooden door (Single & Double)、Aluminum frame door、Glass door  
 Door thickness: 35-50mm (wooden door), 35-50mm (aluminum frame door), 8-12mm (glass door)

T905A

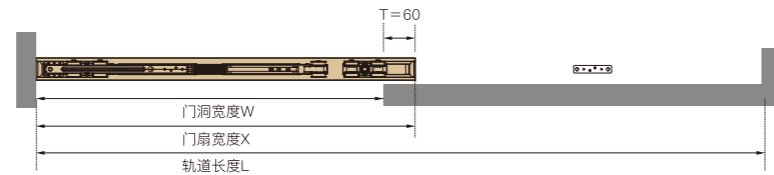
双缓冲吊滑轮 (木门开槽) DOUBLE SOFT CLOSING HANGING ROLLER (WOODEN DOOR SLOTTING)

安装参数 INSTALLATION



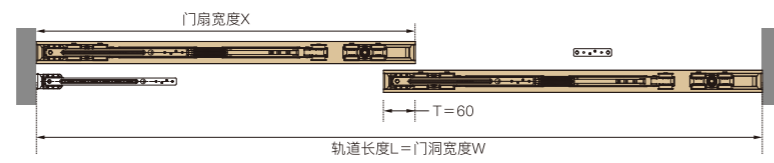
门扇宽度X=门洞宽度W+60  
轨道长度L=门扇宽X\*2-60

Door width X = Cabinet width W+60  
Rail length L = Door width X\*2-60



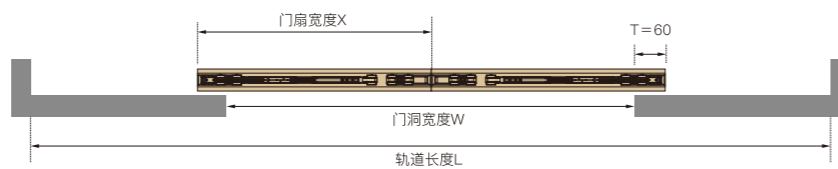
门扇宽度X=门洞宽度W/门数+30  
轨道长度L=门洞宽度W

Door width X = Cabinet width W/doors qty+30  
Rail length L = Cabinet width W

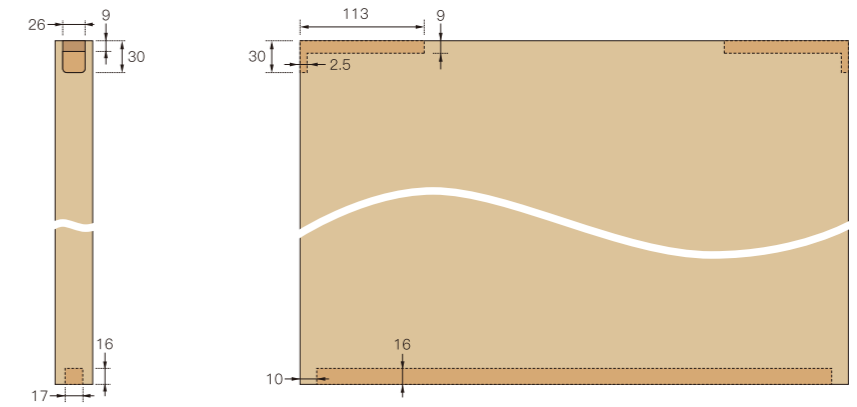


门扇宽度X=门洞宽度W/门数2+60  
轨道长度L=门洞宽W\*2+120

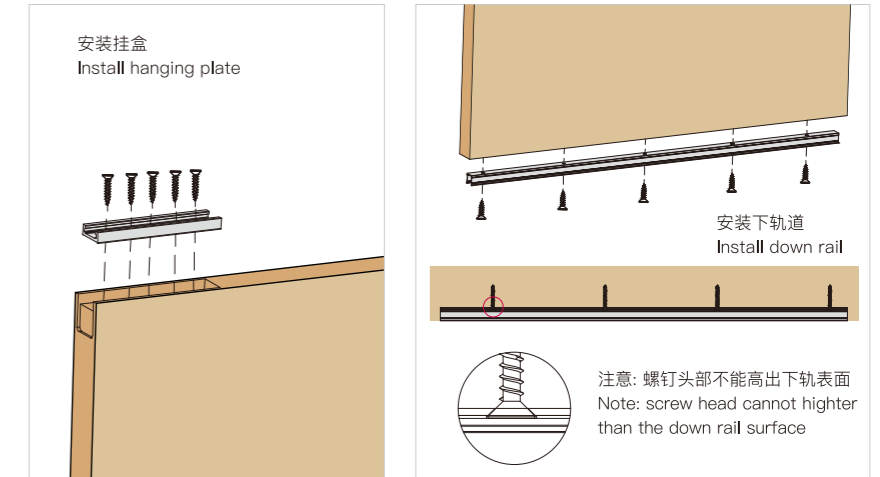
Door width X = Cabinet width W/doors qty2+60  
Rail length L = Cabinet width W\*2+120



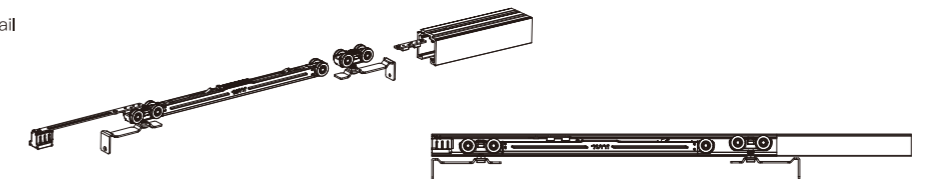
门板开槽  
Door slotting



安装挂盒及下轨道  
Install hanging plate and down rail



将门停组件和滑轮组件依次装入轨道内部  
Stopper components and runners install into the rail



将滑轮组件上的插片插入套内, 用自攻螺钉锁紧;  
调节门扇水平, 安装完成。

Install the insert into sleeve, lock and tighten with screws  
Adjust door level to finish installation

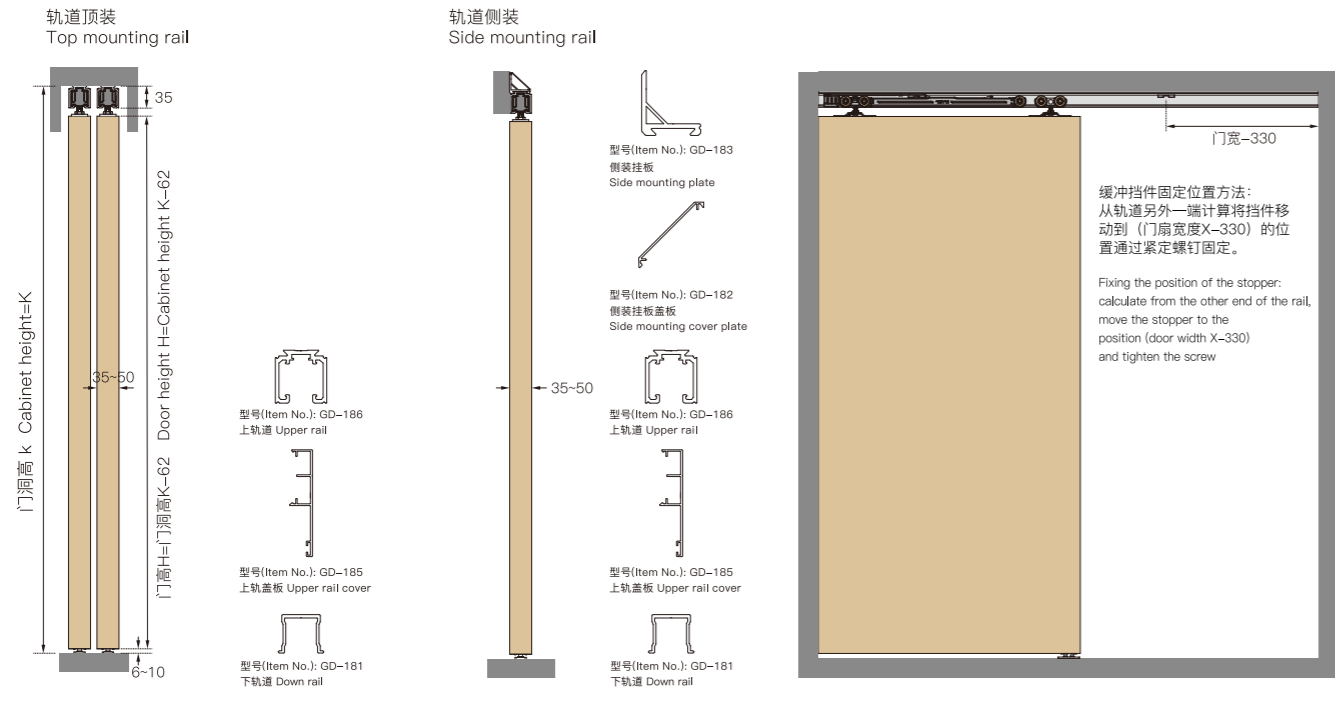




**T905B**

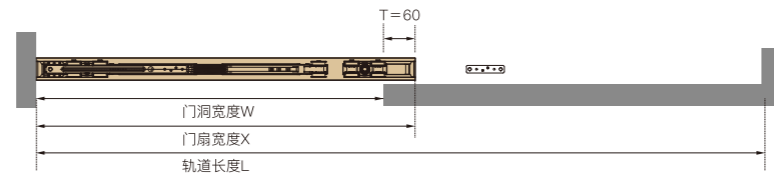
双缓冲吊滑轮 (木门不开槽) DOUBLE SOFT CLOSING HANGING ROLLER (WOODEN DOOR NO NEED SLOTTING)

安装参数 INSTALLATION



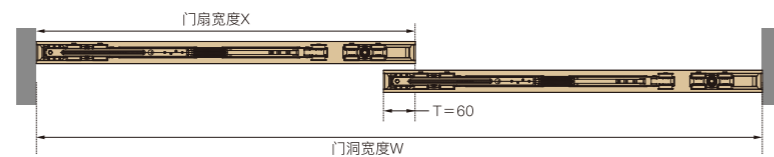
门扇宽度X=门洞宽度W+60  
轨道长度L=门扇宽X\*2-60

Door width X = Cabinet width W+60  
Rail length L = Door width X\*2-60



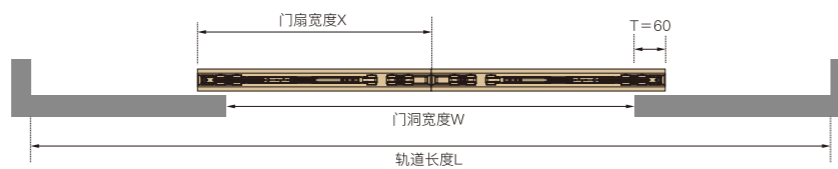
门扇宽度X=门洞宽度W/门数+30  
轨道长度L=门洞宽度W

Door width X = Cabinet width W/doors qty+30  
Rail length L = Cabinet width W

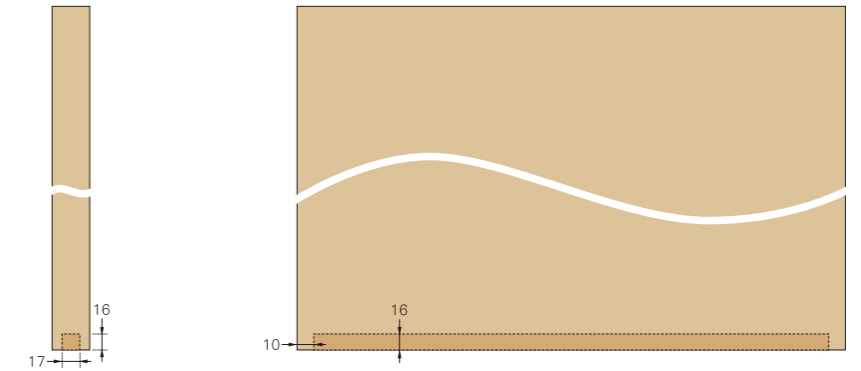


门扇宽度X=门洞宽度W/门数2+60  
轨道长度L=门洞宽W\*2+120

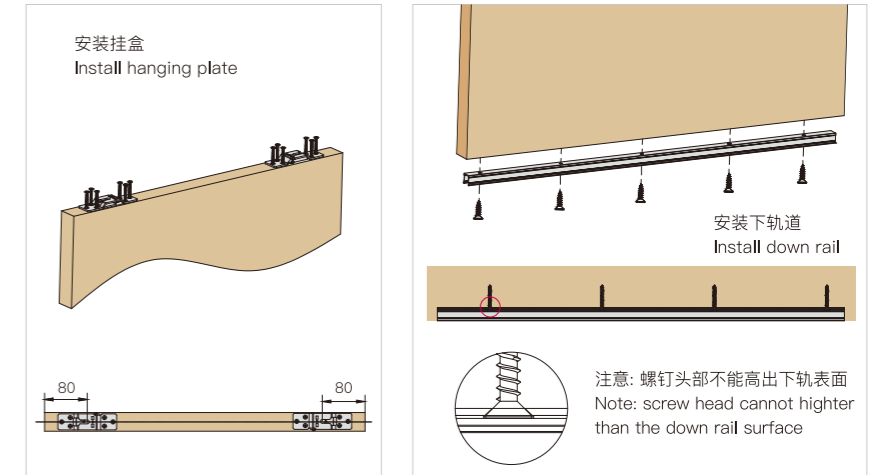
Door width X = Cabinet width W/doors qty2+60  
Rail length L = Cabinet width W\*2+120



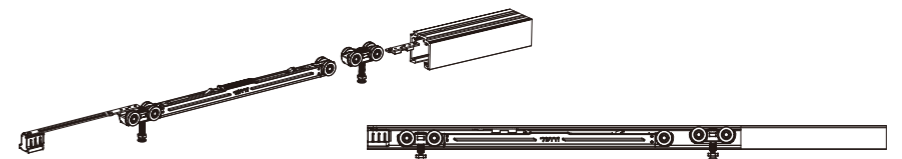
门板开槽  
Door slotting



安装挂盒及下轨道  
Install hanging plate and down rail



将门停组件和滑轮组件依次装入轨道内部  
Stopper components and runners install into the rail



将门扇抬起把滑轮组件上的螺杆底部卡入挂板槽位,  
通过扳手调节门扇水平, 安装完成。

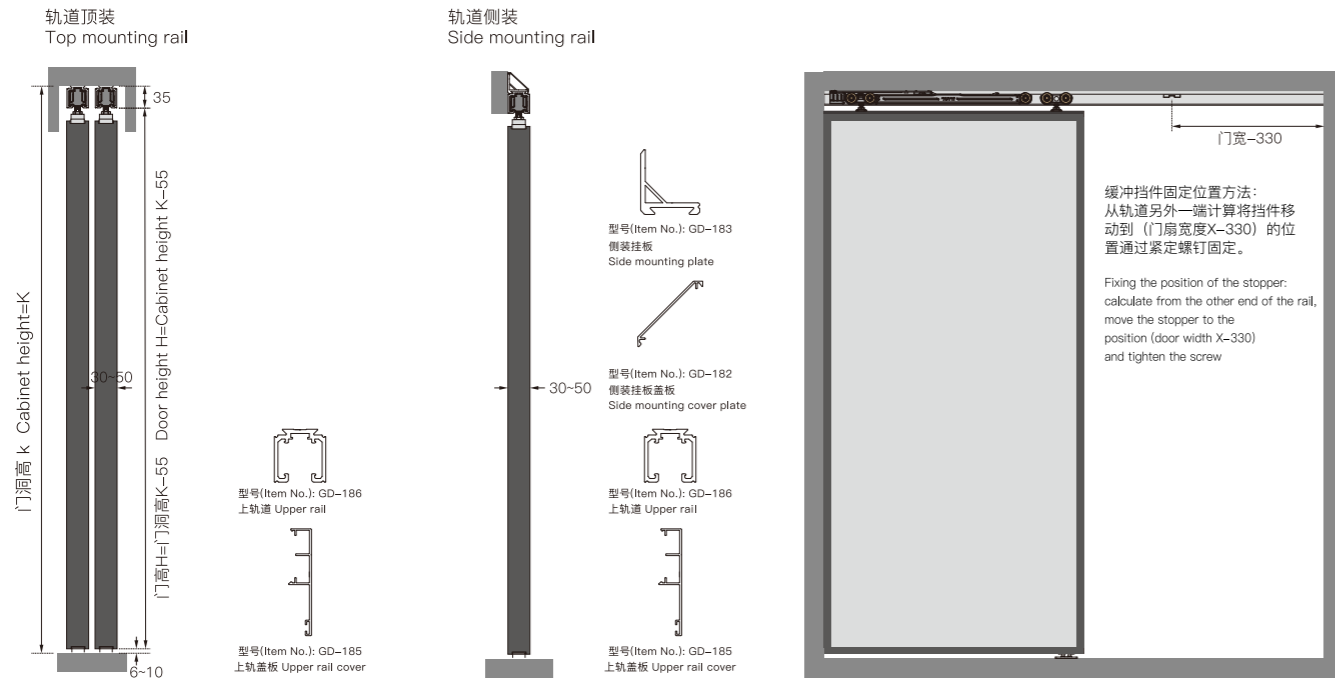
Lift up the door and put the bottom of rod into the slot



# T905C

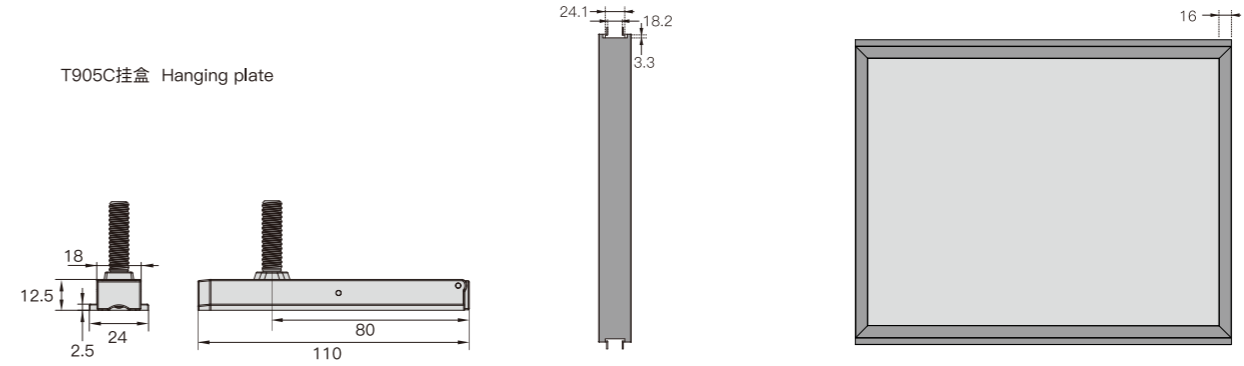
双缓冲吊滑轮 (窄边铝框) DOUBLE SOFT CLOSING HANGING ROLLER (NARROW ALUMINUM FRAME)

## 安装参数 INSTALLATION

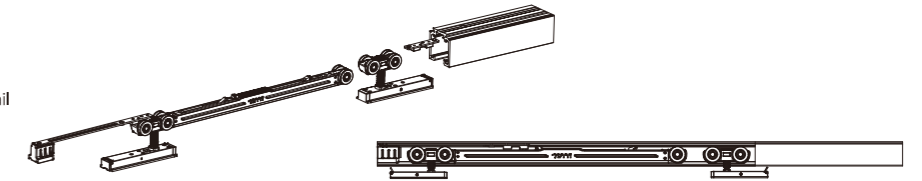


门板 Door panel

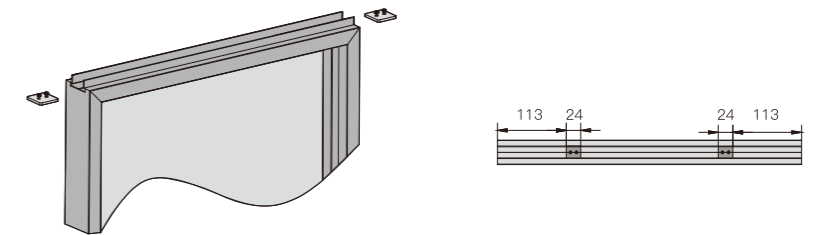
T905C挂盒 Hanging plate



将门停组件和滑轮组件依次装入轨道内部  
Stopper components and runners install into the rail

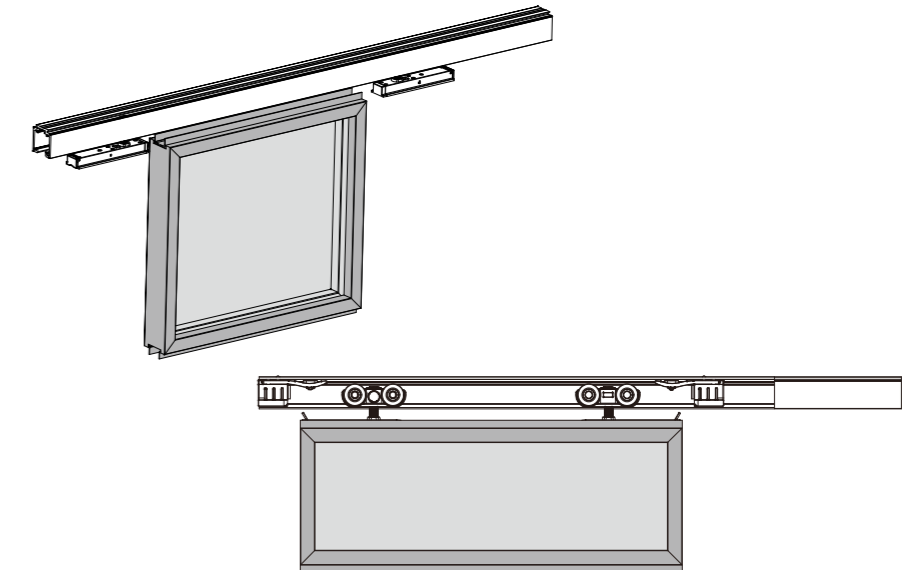


安装防滑出配件  
Install anti-slip accessories



安装门板并调节门扇水平, 安装完成

Install door panel and adjust door level to finish installation

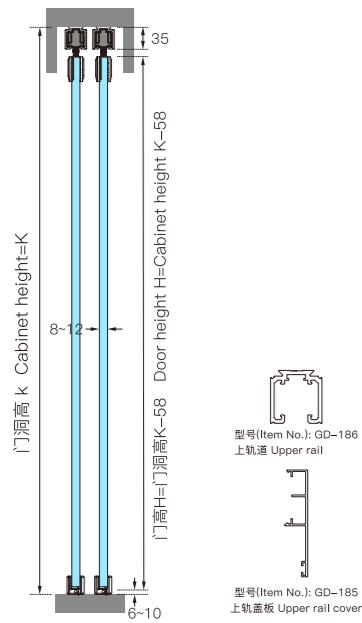


**T905D**

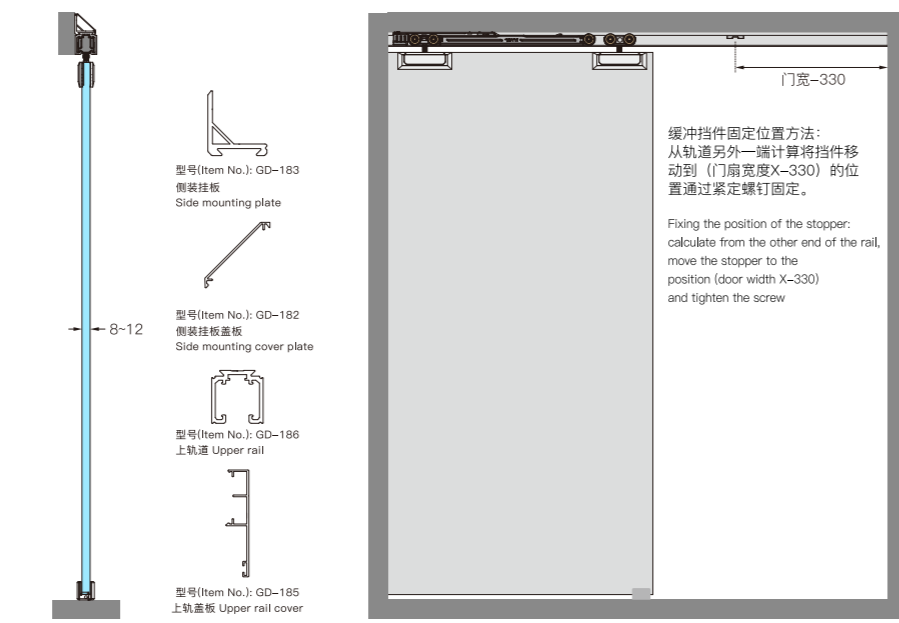
双缓冲吊滑轮 (玻璃门开槽) DOUBLE SOFT CLOSING HANGING ROLLER (GLASS DOOR NEEDS SLOTTING)

安装参数 INSTALLATION

轨道顶装  
Top mounting rail

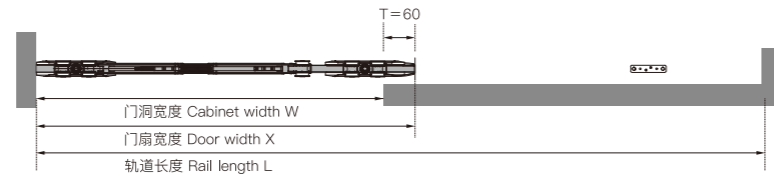


轨道侧装  
Side mounting rail



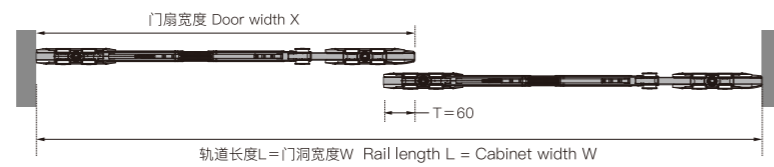
门扇宽度X=门洞宽度W+60  
轨道长度L=门扇宽X\*2-60

Door width X = Cabinet width W+60  
Rail length L = Door width X\*2-60



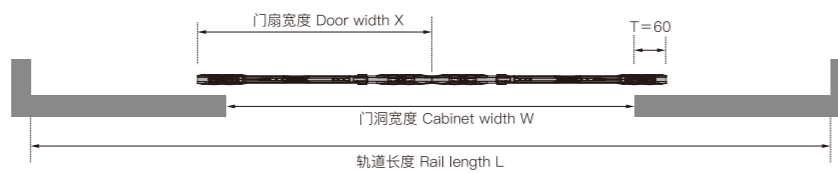
门扇宽度X=门洞宽度W/门数+30  
轨道长度L=门洞宽度W

Door width X = Cabinet width W/doors qty+30  
Rail length L = Cabinet width W

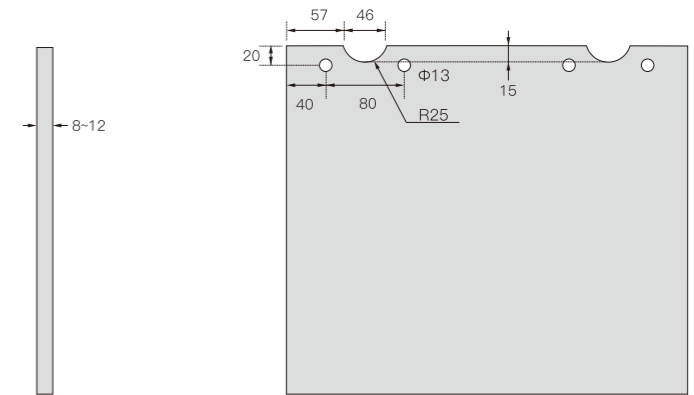


门扇宽度X=门洞宽度W/门数2+60  
轨道长度L=门洞宽W\*2+120

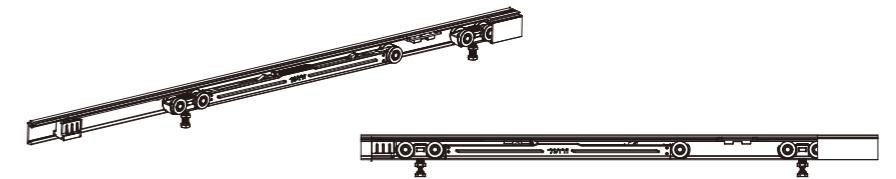
Door width X = Cabinet width W/doors qty2+60  
Rail length L = Cabinet width W\*2+120



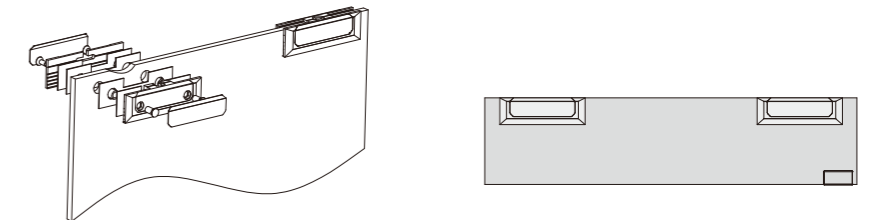
门板开槽  
Door slotting



将门停组件和滑轮组件依次装入轨道内部  
Stopper components and runners install into the rail

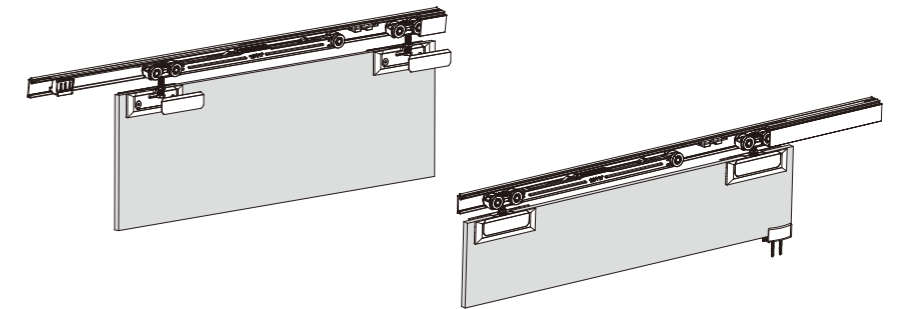


安装玻璃夹  
Install glass fixer



安装门板并调节门扇水平, 安装完成

Install door panel and adjust door level to finish installation

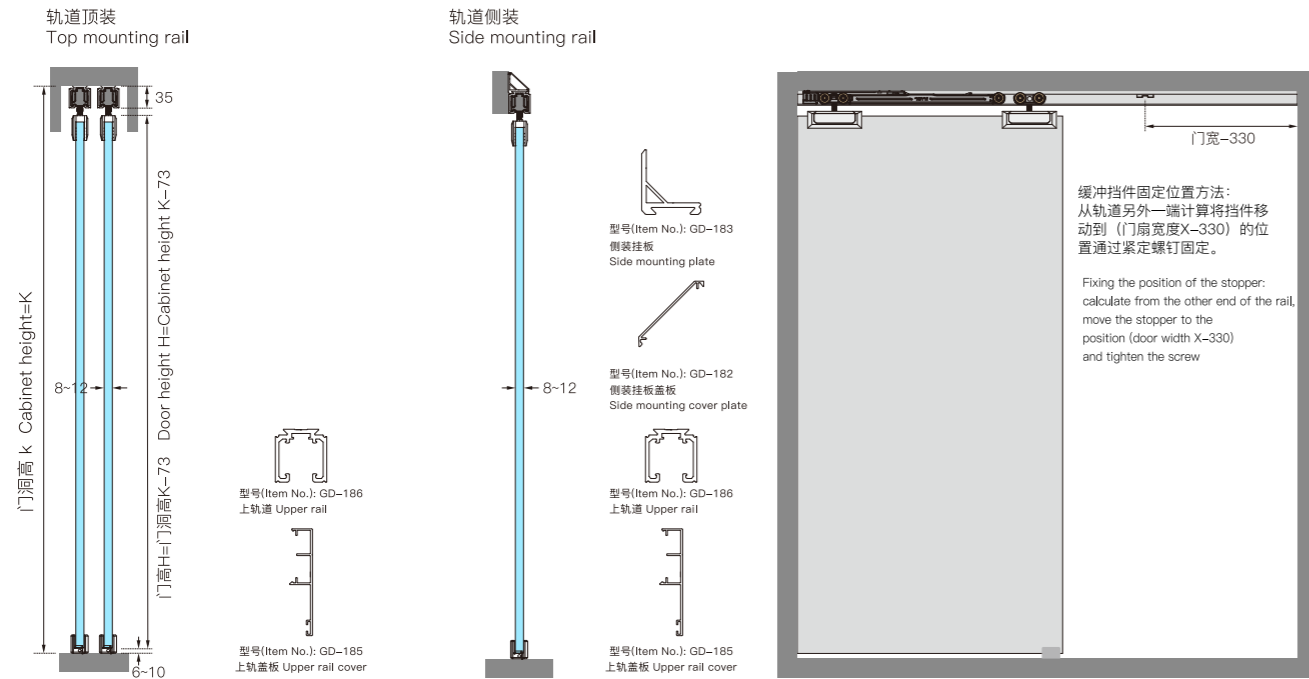


螺钉头部不能高出插片套底部  
Screw head cannot higher than the bottom sleeve

T905E

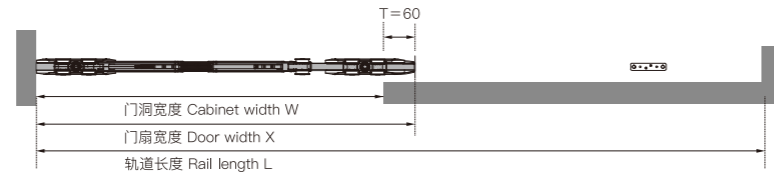
双缓冲吊滑轮(玻璃门不开槽) DOUBLE SOFT CLOSING HANGING ROLLER (NO NEED SLOTTING)

安装参数 INSTALLATION



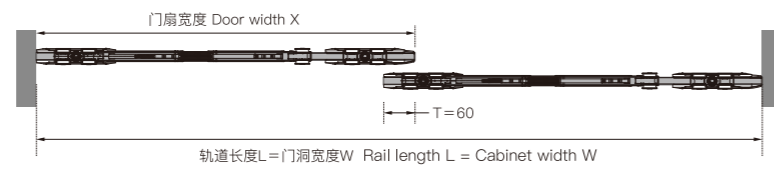
门扇宽度X=门洞宽度W+60  
轨道长度L=门扇宽X\*2-60

Door width X = Cabinet width W+60  
Rail length L = Door width X\*2-60



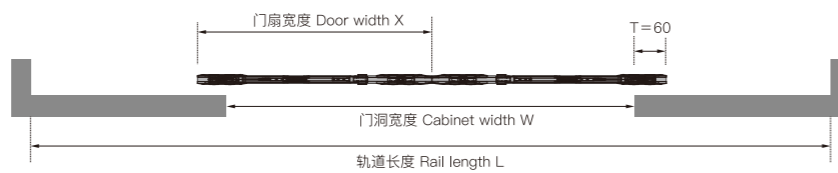
门扇宽度X=门洞宽度W/门数+30  
轨道长度L=门洞宽度W

Door width X = Cabinet width W/doors qty+30  
Rail length L = Cabinet width W



门扇宽度X=门洞宽度W/门数2+60  
轨道长度L=门洞宽W\*2+120

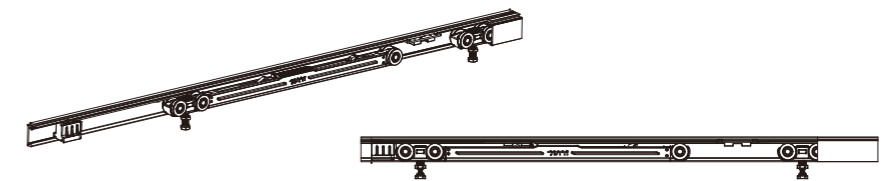
Door width X = Cabinet width W/doors qty2+60  
Rail length L = Cabinet width W\*2+120



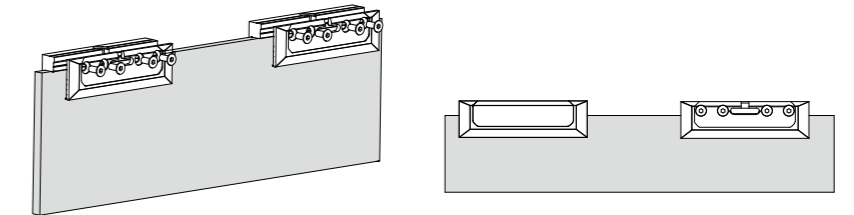
门板 Door panel



将门停组件和滑轮组件依次装入轨道内部  
Stopper components and runners install into the rail

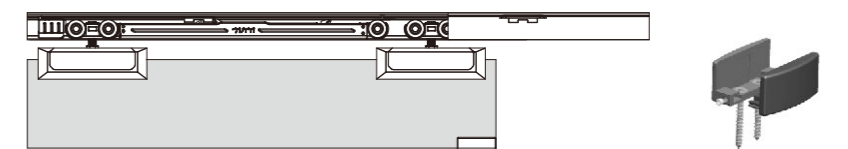
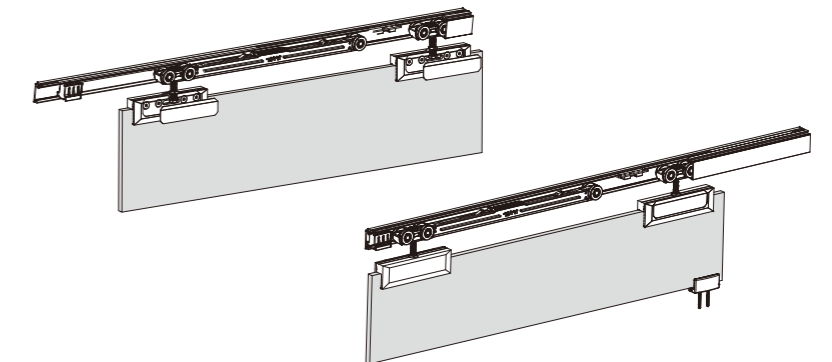


安装玻璃夹  
Install glass fixer



安装门板并调节门扇水平, 安装完成

Install door panel and adjust door level to finish installation



螺钉头部不能高出插片套底部  
Screw head cannot higher than the bottom sleeve



# T910A

T910A同向联动木门吊滑轮系列 WOODEN DOOR SYNTHETIC LINKAGE HANGING SLIDING ROLLER SERIES



类型 Type	门厚 (mm) Door thickness (mm)	门重 (kg) Door weight (kg)	904双缓冲 门宽 (mm) Door width (mm)	904单缓冲 门宽 (mm) Door width (mm)	905双缓冲 门宽 (mm) Door width (mm)
通用型 Standard-damper	35-50mm	≤80kg	820-1200	530-1200	580-1200

# T910A

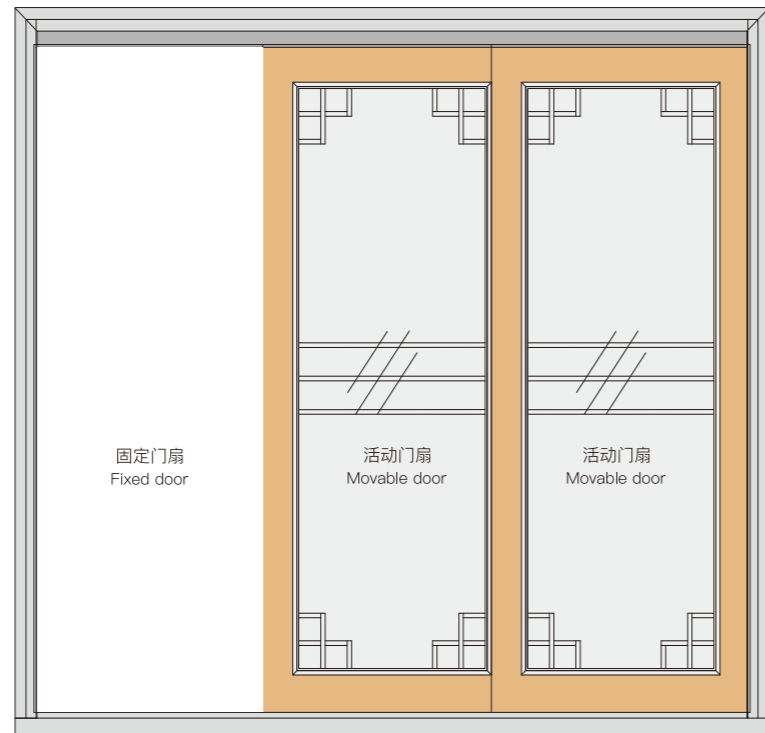
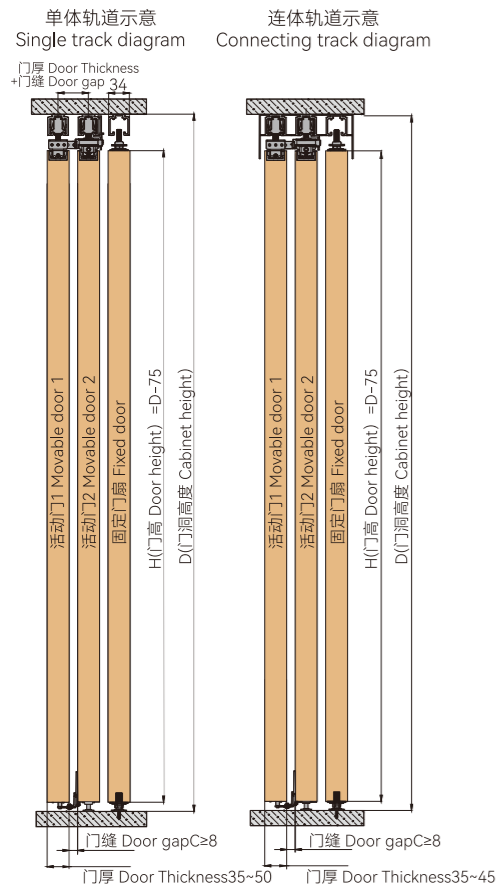
配件名称 Accessories	数量 Qty		配件图 Drawing
	二联动 2 linkage Doors	三联动 3 linkage Doors	
T910A 联动短导轮 Linkage short guide roller	1	2	
T910A 联动长导轮 Linkage long guide roller	1	2	
T910A 带挂体缓冲器组件 Damper with hanging part	2	2	
T910A 顶装固定件 Top hanging plate	1	1	
906A 联动下导向组件 Linkage down guider	1	2	
传动皮带3M Transmission belt 3 meter	1	2	
T910A 皮带支撑件 Belt supporting plate	1	2	
906A 顶装固定件 Top hanging plate	1	1	
T910A 皮带固定件组件 Belt fixing part	0	1	
T910A 吊轮组件 Top hanging roller	2	4	
T904A 缓冲器挡件组件 Damper stopper component	2	2	
910A 木门挂板 Wooden door hanging plate	4	6	
T905A 门停组件 Door stopper	3	4	
906A 木门下导向组件 Wooden door down guiding roller	1	1	
ST3.5*12 十字沉头自攻钉 Screw	6	10	
M4*12 内六角紧定 Inner hexagon screw	10	18	
4mm 六角匙 Allen key	1	1	
M4*6 十字盘头螺丝 Screw	2	4	
M5*12 十字外六角三组合螺丝 Outer Hexagon Three Combination Screws	0	2	
2.5mm 六角匙 Allen key	1	1	
2mm 六角匙 Allen key	1	1	
ST4*30 十字沉头自攻钉 Self-tapping wooden screw	20	30	

固定门配件需选配 Fixed door accessories are optional

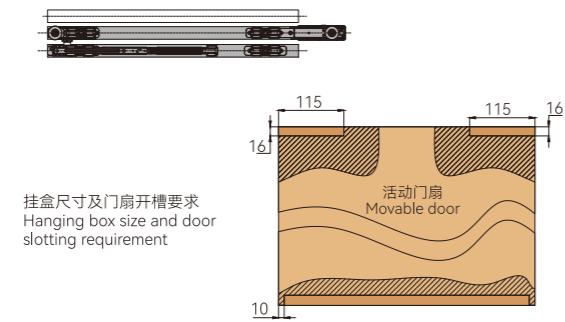
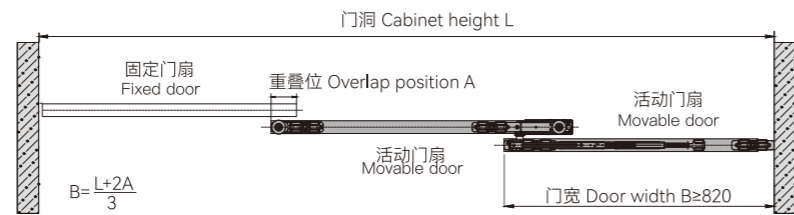
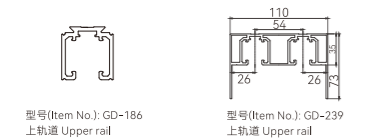
T910A 两联动 (2+0)

TWO LINKAGE DOORS (2+0)

安装参数 INSTALLATION



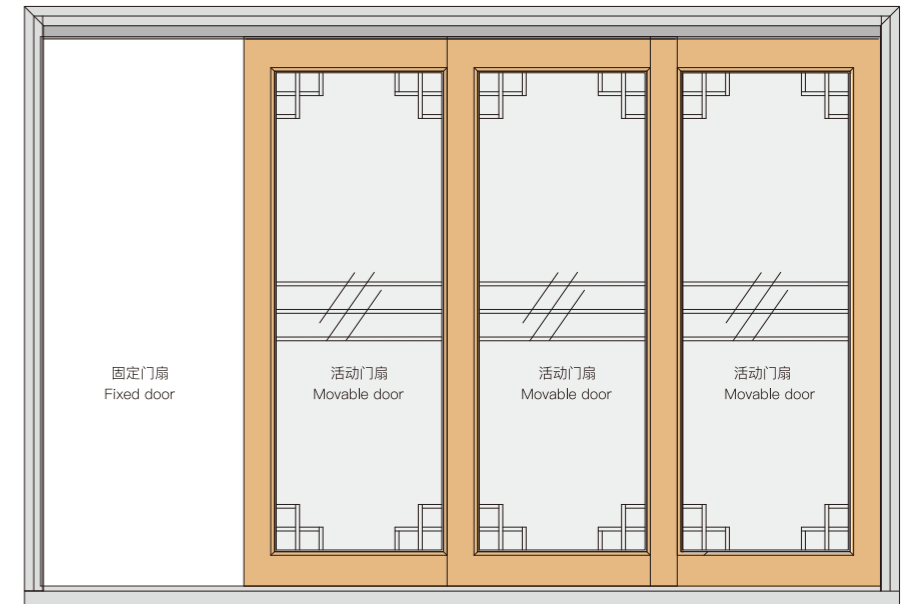
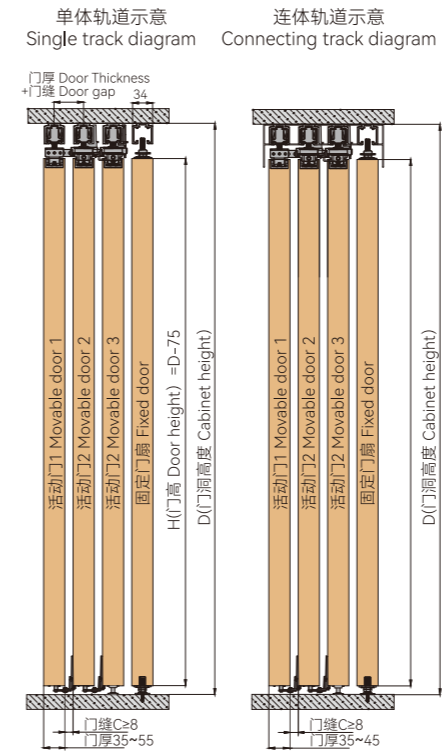
轨道顶装 Top mounting rail



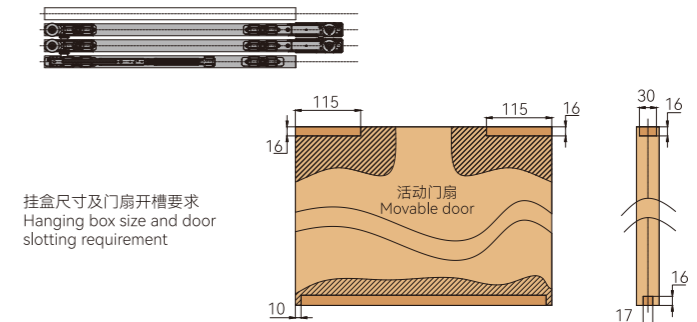
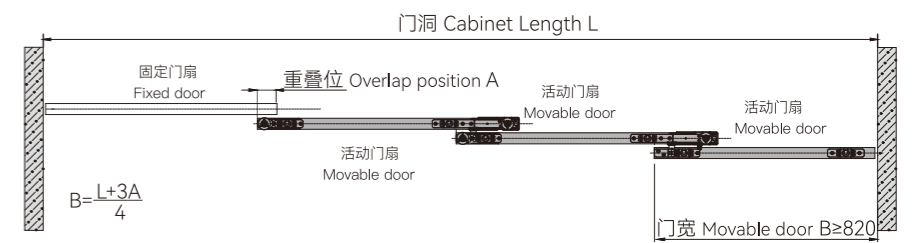
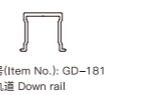
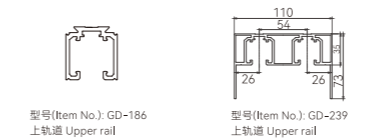
T910A 三联动 (3+0)

THREE LINKAGE DOORS (3+0)

安装参数 INSTALLATION



轨道顶装 Top mounting rail





# T910C

T910C同向联动铝框吊滑轮系列 ALUMINUM DOOR SYNTHETIC LINKAGE HANGING SLIDING ROLLER SERIES



类型 Type	门厚 (mm) Door thickness (mm)	门重 (kg) Door weight (kg)	904双缓冲 门宽 (mm) Door width (mm)	904单缓冲 门宽 (mm) Door width (mm)	905双缓冲 门宽 (mm) Door width (mm)
通用型 Standard-damper	30-50mm	≤80kg	820-1200	530-1200	580-1200

# T910C

配件名称 Accessories	数量 Qty		配件图 Drawing
	二联动 2 linkage Doors	三联动 3 linkage Doors	
T910A 联动短导轮 Linkage short guide roller	1	2	
T910A 联动长导轮 Linkage long guide roller	1	2	
T910A 带挂体缓冲器组件 Damper with hanging part	2	2	
T910A 顶装固定件 Top hanging plate	1	1	
906A 移动下定位L Movable door down guider (L)	1	2	
T910A 移动下定位固定板R Movable door down guider fixing plate (R)	1	2	
T910A 皮带支撑件 Belt supporting plate	1	2	
906A 顶装固定件 Top hanging plate	1	1	
T904A 缓冲器挡件组件 Damper stopper component	2	2	
T910A 吊轮组件 Top hanging roller	2	4	
T905A 门停组件 Door stopper	2	4	
906C 铝框联动下导向挡件 Aluminium frame down guider stopper	1	3	
传动皮带3M Transmission belt 3 meter	1	2	
906C 固定下定位 Fixed down roller	1	1	
ST3.5*12 十字沉头自攻钉 Self tapping screw	6	10	
M4*12 内六角紧定 Inner hexagon screw	10	18	
4mm 六角匙 Allen key	1	1	
M4*6 十字盘头螺丝 Screw	2	4	
2mm 六角匙 Allen key	2	1	
2.5mm 六角匙 Allen key	1	1	
ST4*30 十字沉头自攻钉 Self tapping screw	4	6	
T910A 皮带固定件组件 Belt fixing part	0	1	
M5*12 十字外六角三组合螺丝 Outer Hexagon Three Combination Screws	0	2	

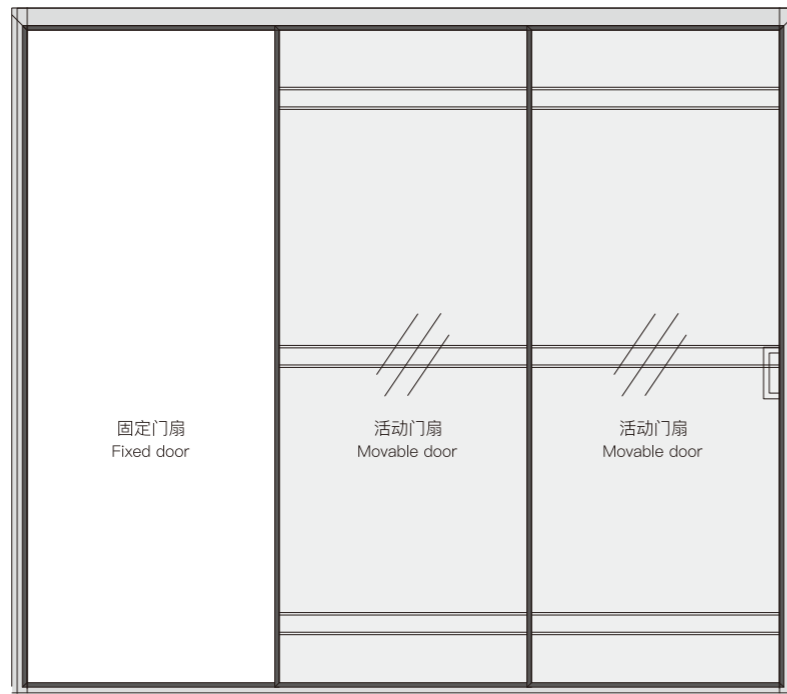
固定门配件需选配 Fixed door accessories are optional

**T910C 两联动 (2+0)**

**TWO LINKAGE DOORS (2+0)**

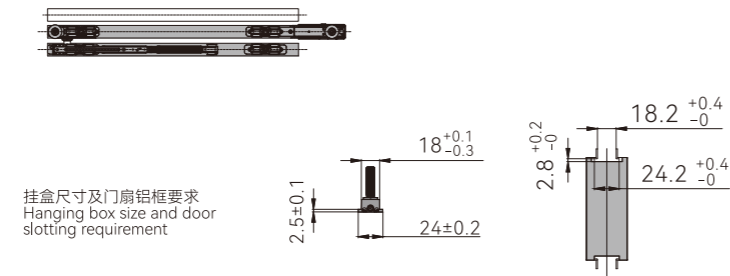
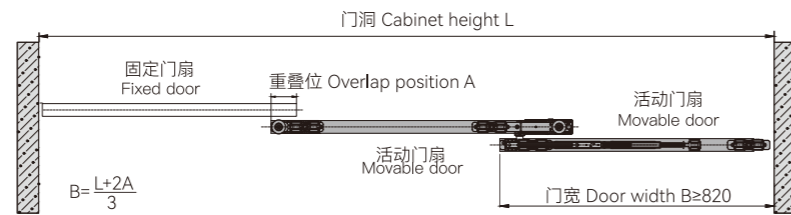
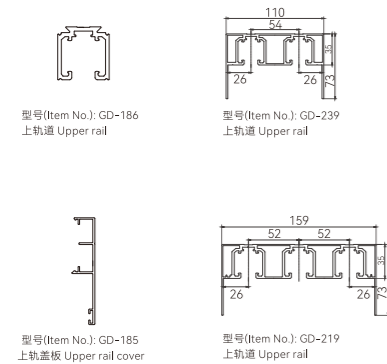
安装参数 INSTALLATION

单体轨道示意 Single track diagram  
连体轨道示意 Connecting track diagram



50-C ≤ 门厚 Door Thickness ≤ 55-C

轨道顶装 Top mounting rail

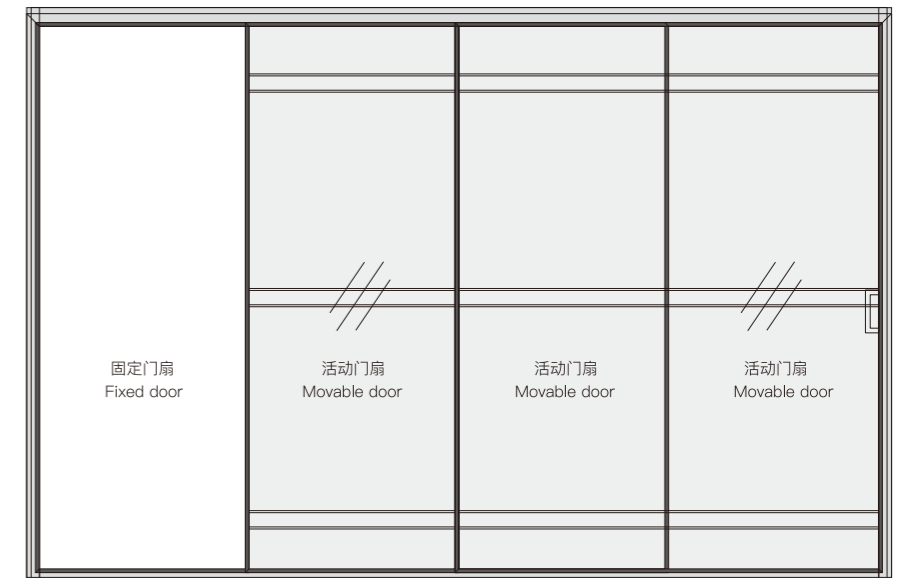
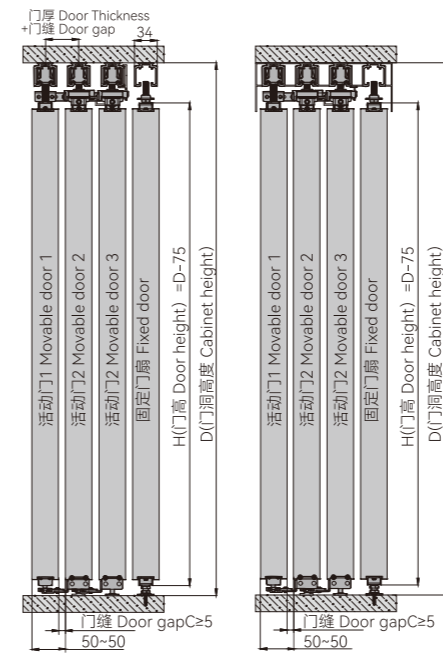


**T910C 三联动 (3+0)**

**THREE LINKAGE DOORS (3+0)**

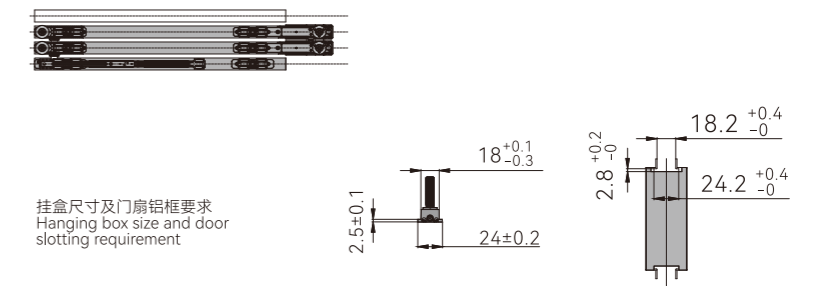
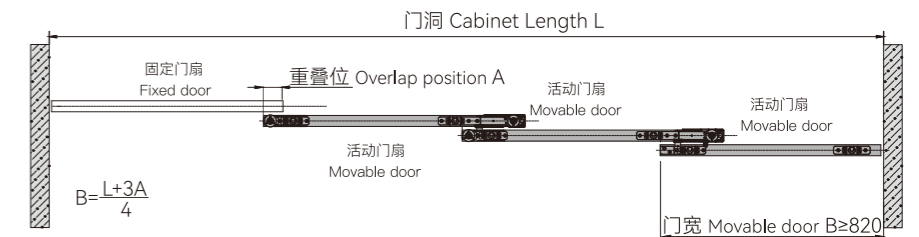
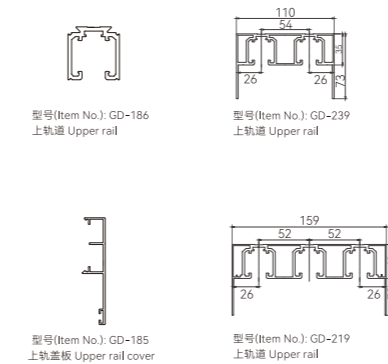
安装参数 INSTALLATION

单体轨道示意 Single track diagram  
连体轨道示意 Connecting track diagram



50-C ≤ 门厚 Door Thickness ≤ 55-C

轨道顶装 Top mounting rail





# T911A

T911A异向联动木门吊滑轮系列 WOODEN DOOR INCONGRUOUS LINKAGE HANGING SLIDING ROLLER SERIES



类型 Type	门厚 (mm) Door thickness (mm)	门重 (kg) Door weight (kg)	904单缓冲 门宽 (mm) Door width (mm)	904双缓冲 门宽 (mm) Door width (mm)	905双缓冲 门宽 (mm) Door width (mm)
通用型 Standard-damper	35-50mm	60-100Kg	530-1200mm	820-1200	580-1200

## T911A

配件名称 Accessories	数量 Qty		配件图 Drawing
	二联动 2 linkage Doors		
T911A 外侧普通吊轮组件 Outside rollers	1		
T911A 内侧缓冲吊轮组件 Inside rollers with damper	1		
T911A 内侧普通吊轮组件 Damper with hanging part	1		
T911A 外侧缓冲吊轮组件 Outside rollers with damper	1		
911A 皮带固定件 Belt fixing part	1		
T905A 缓冲挡件组件 Damper stopper	2		
907A 异向带轮传动件 Linkage runner guider	2		
M4*6十字盘头螺丝 Screw	2		
传动皮带12M Transmission belt 12 meter	1		
T903A木门下导向组件 Wooden door down guiding roller	2		
ST3.5*12 十字沉头自攻钉 Cross countersunk head tapping screws	4		
910A 木门挂板 Wooden door hanging plate	4		
2mm 六角匙 Allen key	1		
M4*12 内六角紧定 Inner hexagon screw	8		
2.5mm 六角匙 Allen key	1		
3mm 六角匙 Extended allen key	1		
4mm 六角匙 Allen key	1		
ST4*30 十字沉头自攻钉 Cross countersunk head tapping screws	20		

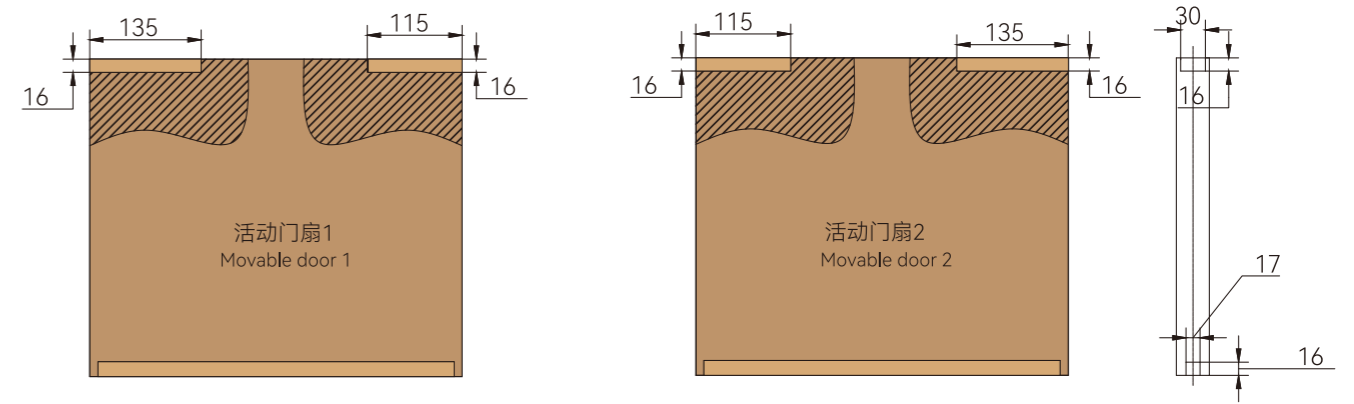
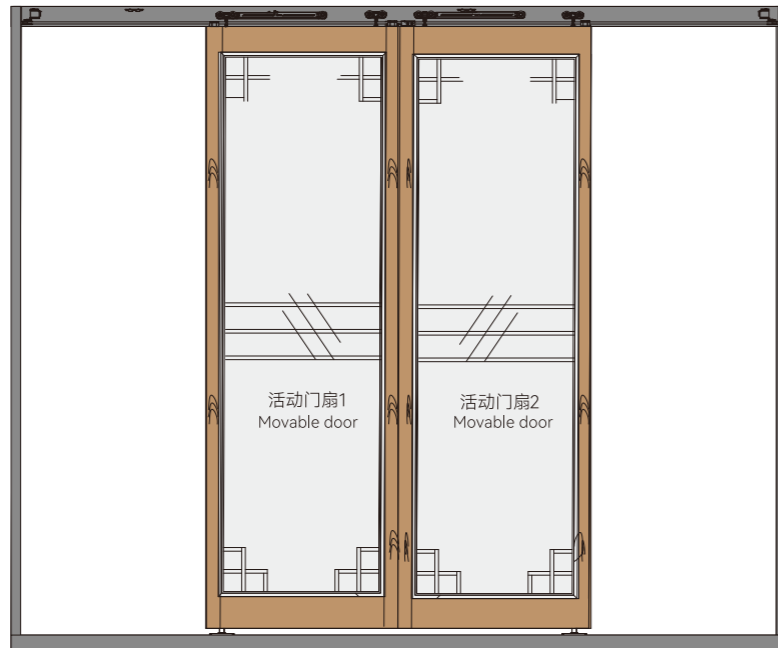
固定门配件需选配 Fixed door accessories are optional



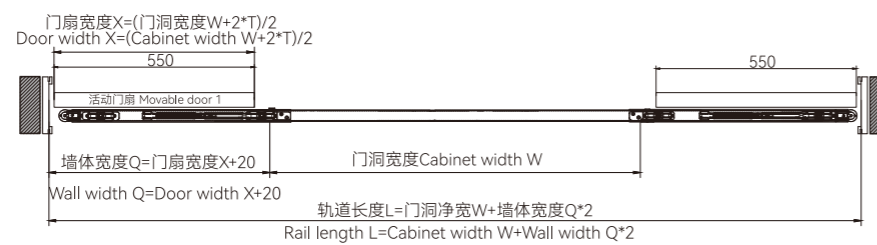
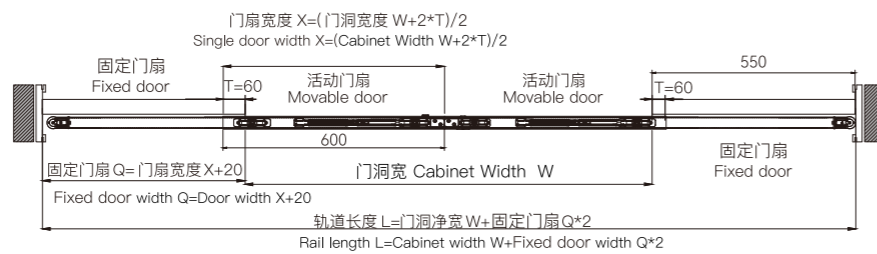
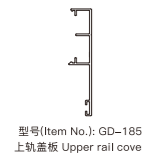
T911A 两联动 (2+0)

TWO LINKAGE DOORS (2+0)

安装参数 INSTALLATION



轨道顶装  
Top mounting rail



# T911C

T911C异向联动铝框吊滑轮系列 ALUMINUM FRAME DOOR INCONGRUOUS LINKAGE HANGING SLIDING ROLLER SERIES



类型 Type	门厚 (mm) Door thickness (mm)	门重 (kg) Door weight (kg)	904单缓冲 门宽 (mm) Door width (mm)	904双缓冲 门宽 (mm) Door width (mm)	905双缓冲 门宽 (mm) Door width (mm)
通用型 Standard-damper	30-50mm	60-100Kg	530-1200mm	820-1200	580-1200

## T911C

配件名称 Accessories

数量 Qty  
二联动 2 linkage Doors

配件图 Drawing

T911A 外侧普通吊轮组件 Outside rollers

1



T911A 内侧缓冲吊轮组件 Inside rollers with damper

1



T911A 内侧普通吊轮组件 Inside rollers

1



T911A 外侧缓冲吊轮组件 Outside rollers with damper

1



911A 皮带固定件 Belt fixing part

1



T905A 缓冲挡件 Damper stopper

2



907A 异向带轮传动件 Linkage runner guider

2



M4\*6十字盘头螺丝 Screw

2



传动皮带12M Transmission belt 12 meter

1



T903C 固定下定位 Down guider

2



ST3.5\*12 十字沉头自攻钉 Cross countersunk head tapping screws

4



310 防滑出配件 Anti-slip off part

4



2mm 六角匙 Allen key

1



M4\*12 内六角紧定 Inner hexagon screw

8



2.5mm 六角匙 Allen key

1



3mm 加长六角匙 Extended allen key

1



4mm 六角匙 Allen key

1

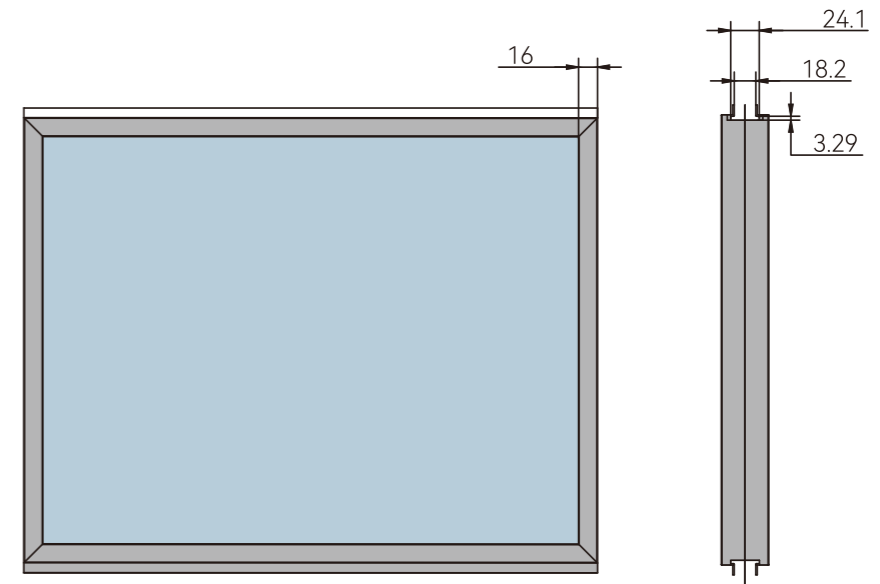
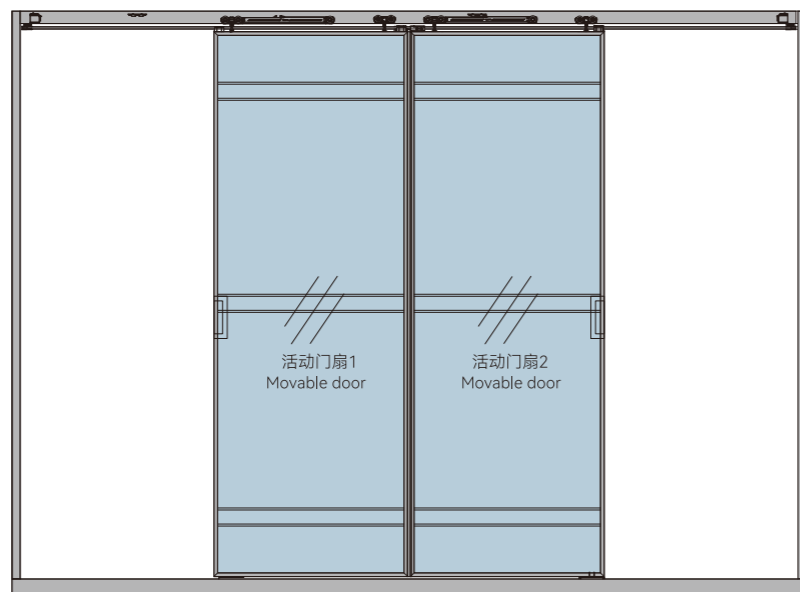
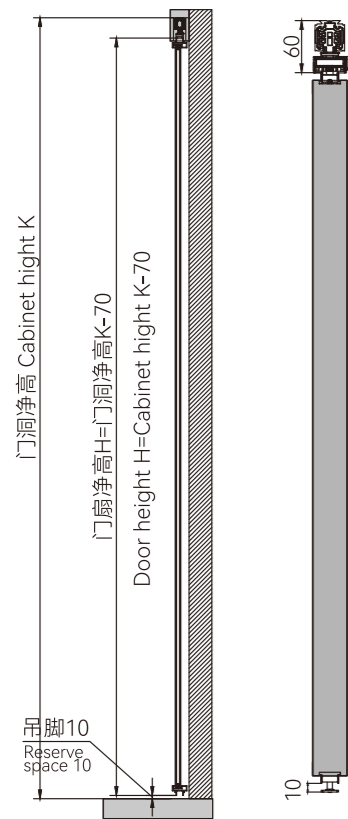


固定门配件需选配 Fixed door accessories are optional

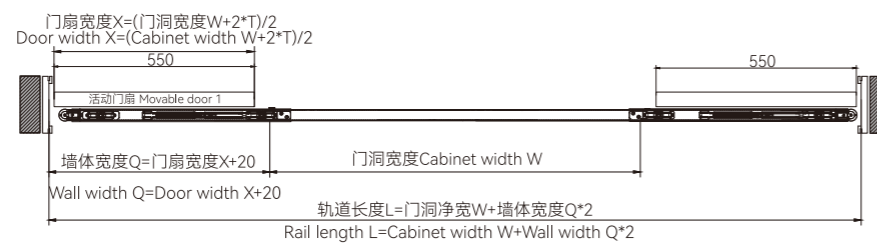
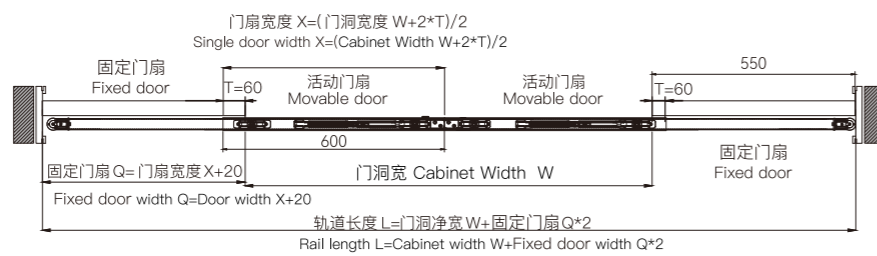
T911C 两联动 (2+0)

TWO LINKAGE DOORS (2+0)

安装参数 INSTALLATION



轨道顶装 Top mounting rail





# T908

## T908磁悬浮电动吊滑轮系列 ELECTRIC MAGNETIC SUSPENSION HANGING ROLLER SERIES



### 标准配置

### ACCESSORIES

型号 Item No:	挂盒 Hanging plate	下导向件 Bottom guide	磁悬浮配件主体(规格按附表) Magnetic Suspension mechanism (Specification as attachment)
T908A	 X2		 X1
T908B	 X2	X1	
T908C	 X2	X1	
T908D	 X2		
T908E	 X2	X1	

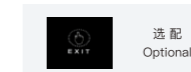
型号(Item No.): T908P01

远距离感应器 (感应范围: 4米内)  
Long Range Sensor (Sensing range: within 4m)



型号(Item No.): T908P02

触摸开关 (静电触摸)  
Touch Switch (Static touch)



型号(Item No.): TL908

遥控器 (配两个发射器)  
Remote control (With two launchers)



产品规格 Specification	门宽 mm Door width	轨道长度 Rail length	轨道裁切范围 Cutting range of Rail
T908-700	700-800	1540mm	1340-1540mm
T908-800	800-900	1740mm	1540-1740mm
T908-900	900-1000	1940mm	1740-1940mm
T908-1000	1000-1100	2140mm	1940-2140mm
T908-1100	1100-1200	2340mm	2140-2340mm
T908-1200	1200-1300	2540mm	2340-2540mm
T908-1300	1300-1400	2740mm	2540-2740mm
T908-1400	1400-1500	2940mm	2740-2940mm
T908-1500	1500-1600	3140mm	2940-3140mm

### 功能与特点

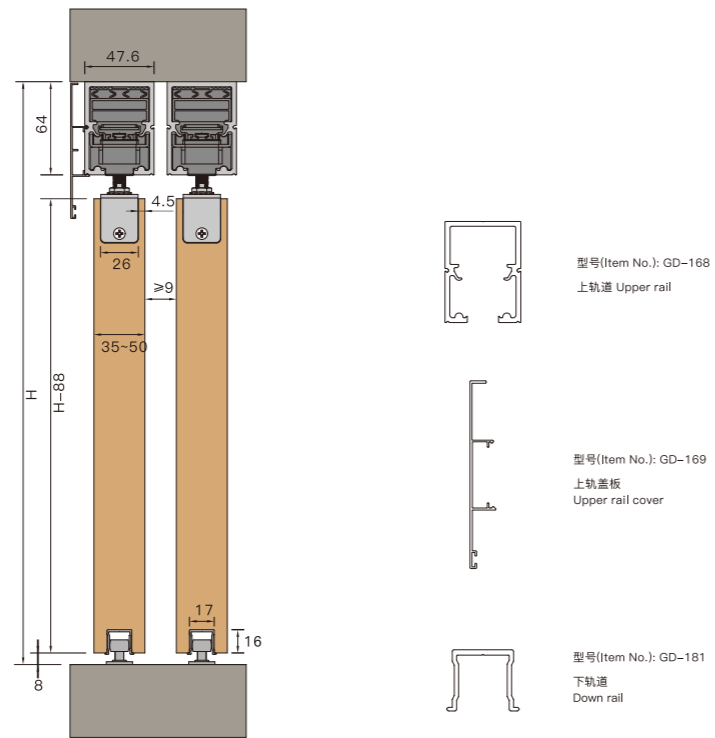
### HIGHLIGHTS

单门重量: ≤100kg (100kg以上可特制)  
额定电压: 220V  
额定功率: 300W  
平均来回功率: 40W  
关门速度: 0.2-0.5m/s  
开门速度: 0.2-0.5m/s  
开门到位停留时间: 0-30s  
工作环境温度: -40°C-60°C

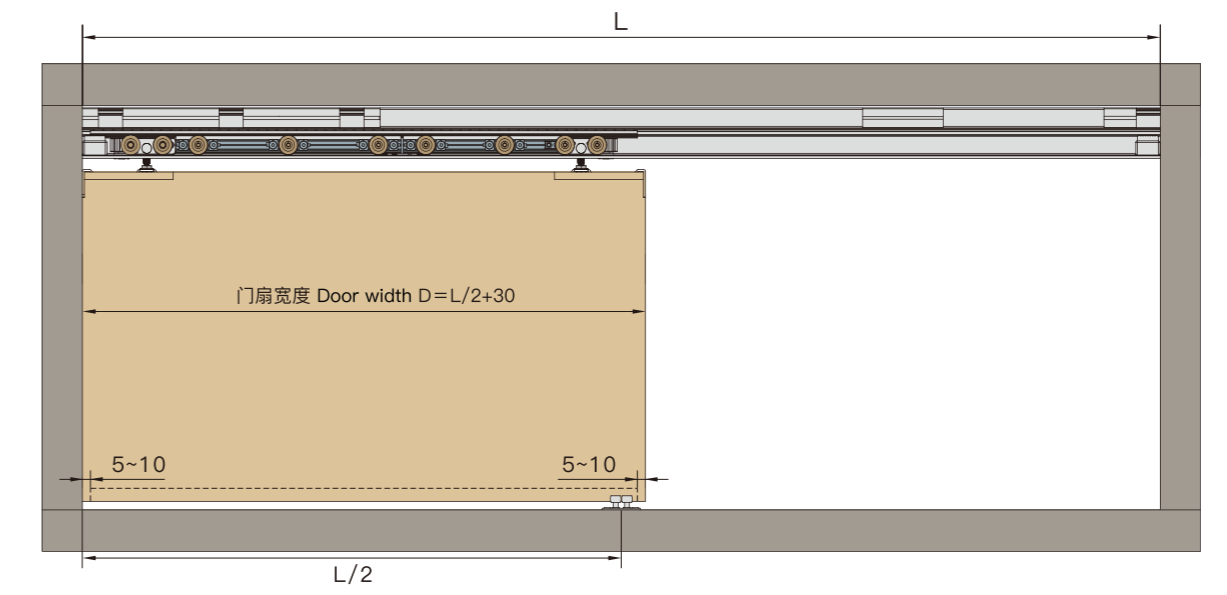
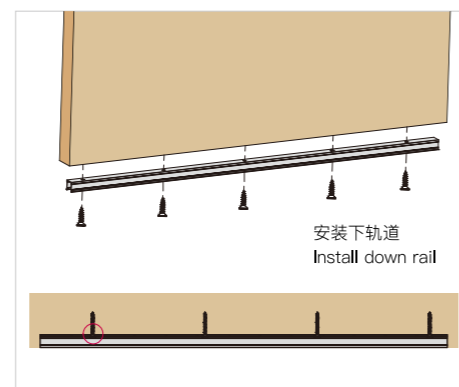
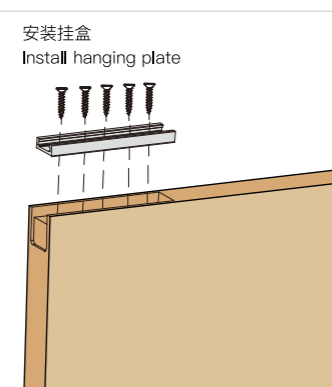
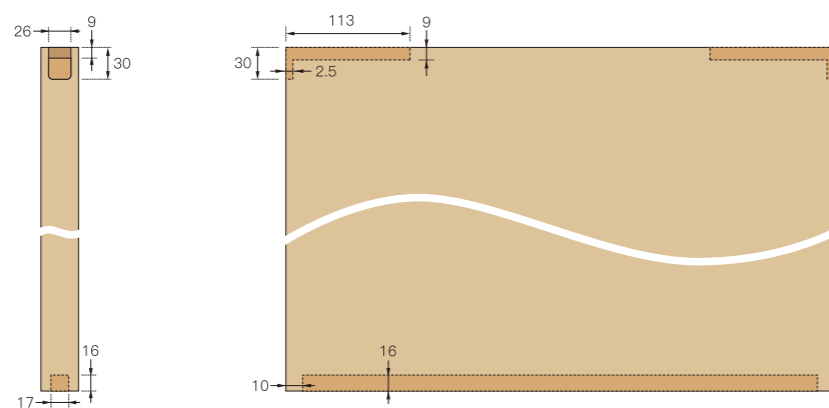
Single door weight: ≤100kg (over 100kg can be customized)  
Rated power: 300W Voltage  
Average round-trip power: 40W  
Opening speed: 0.2-0.5m/s  
Closing speed: 0.2-0.5m/s  
Opening time: 0-30s  
Operating temperature: -40°C ~ 60°C

**T908A 磁悬浮电动吊滑轮 (木门开槽)** ELECTRIC MAGNETIC SUSPAENSION HANGING ROLLER SERIES (WOODEN DOOR NEED SLOTTING)

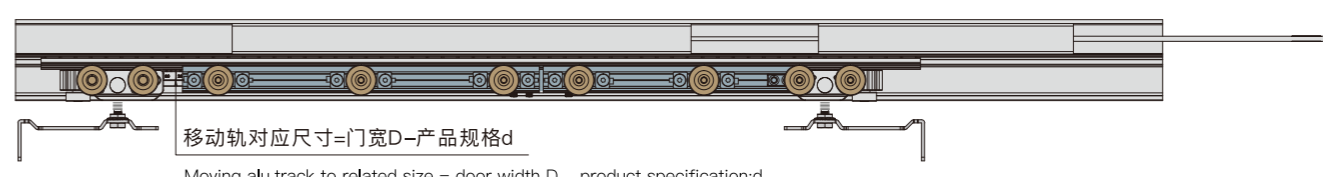
安装参数 INSTALLATION



门板开槽  
Door slotting dimension



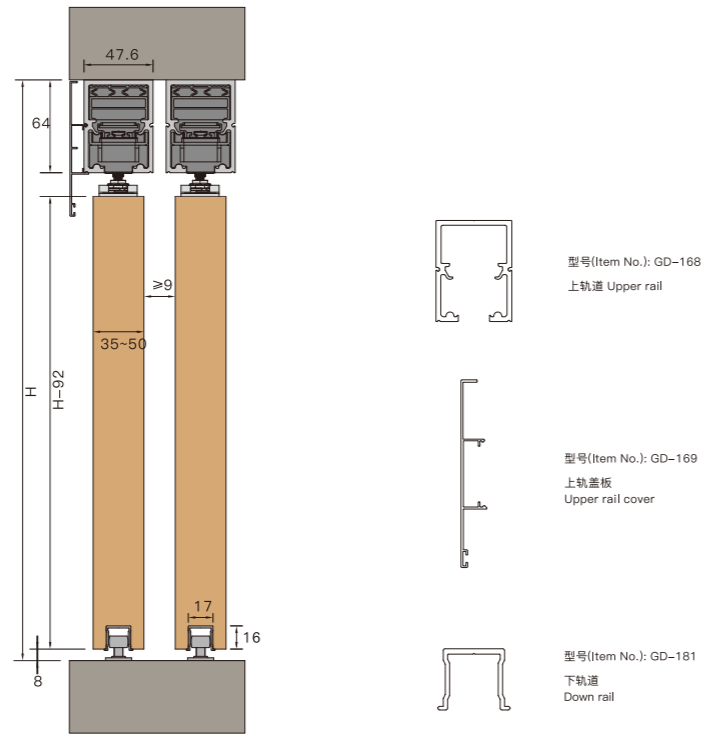
调整轨道长度 (两边需裁切相同长度A)  
Adjust the alu. track length (cut same length A at both side)



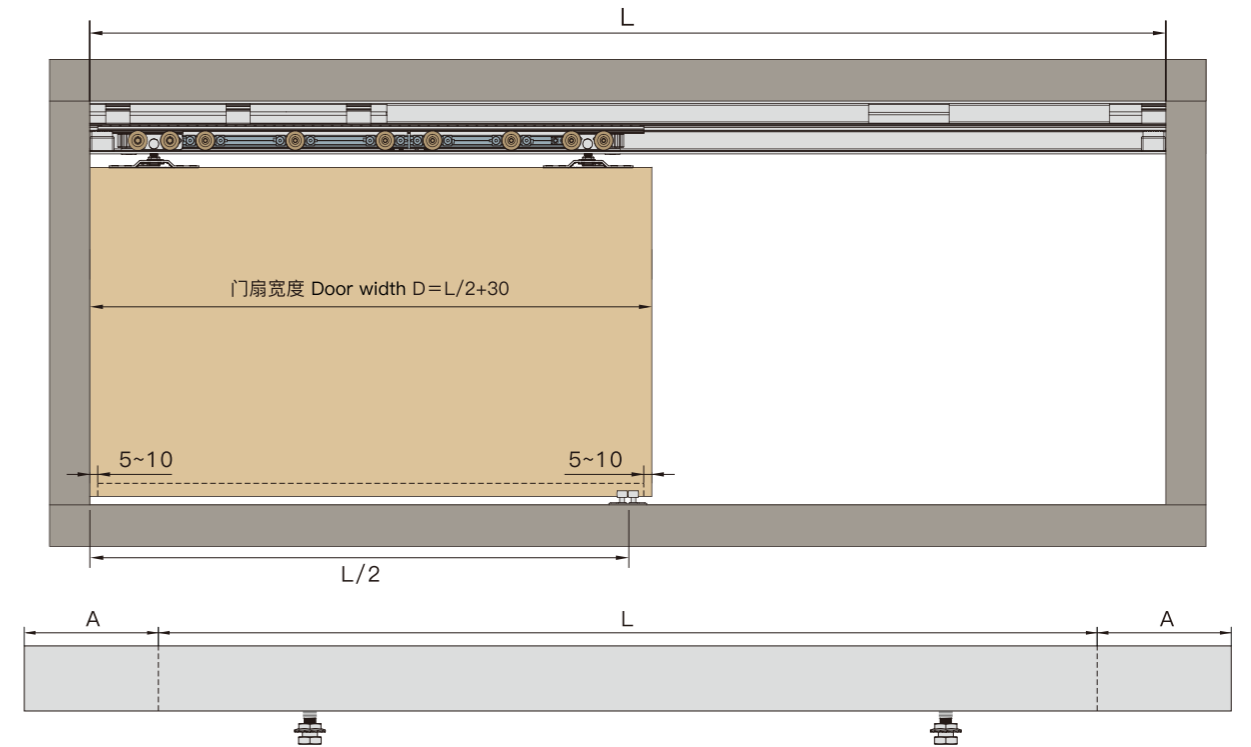
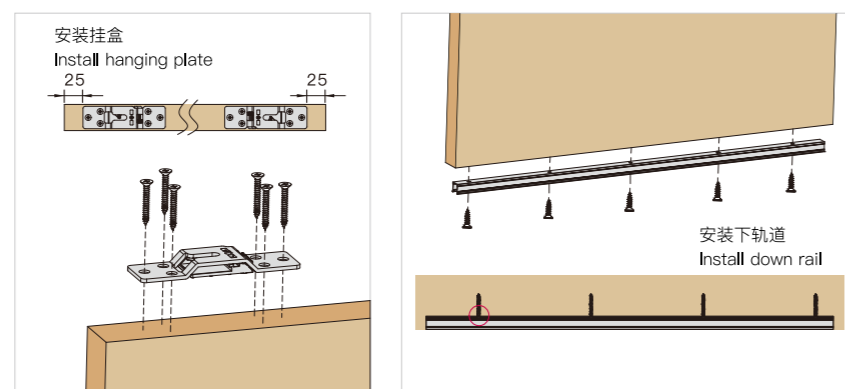
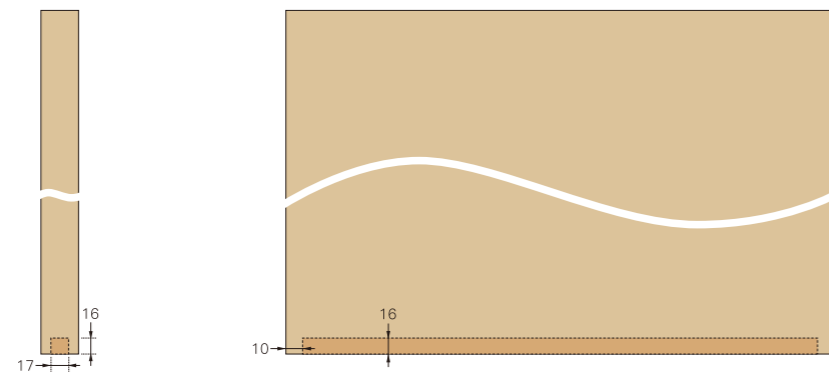


**T908B 磁悬浮电动吊滑轮 (木门不开槽)** ELECTRIC MAGNETIC SUSPENSION HANGING ROLLER SERIES (WOODEN DOOR NO DRILLING)

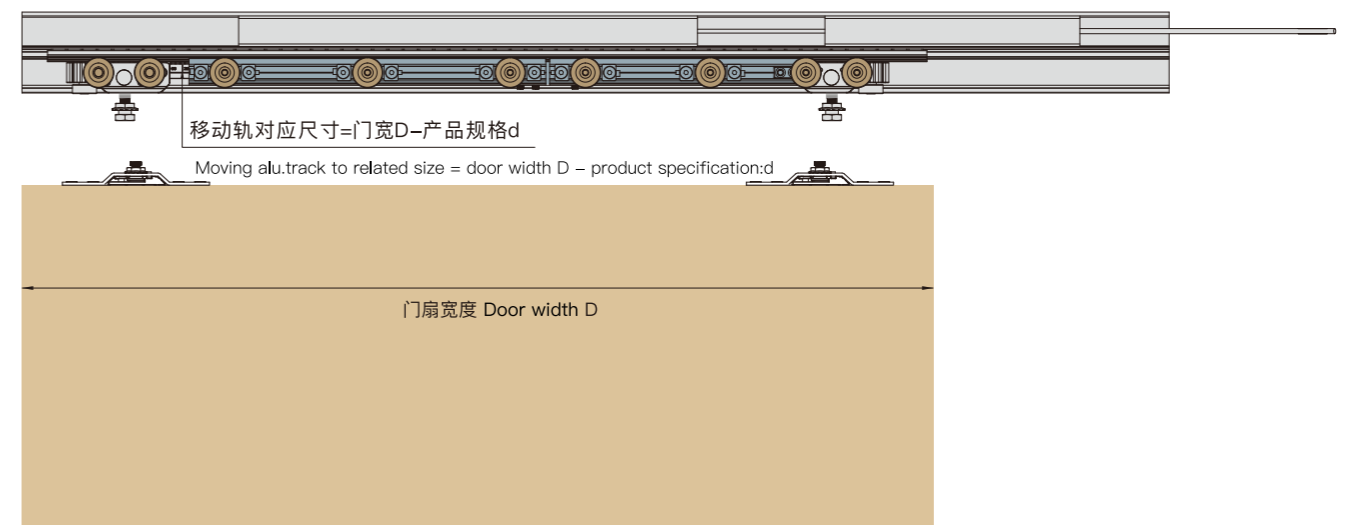
安装参数 INSTALLATION



门板开槽  
Door slotting dimension



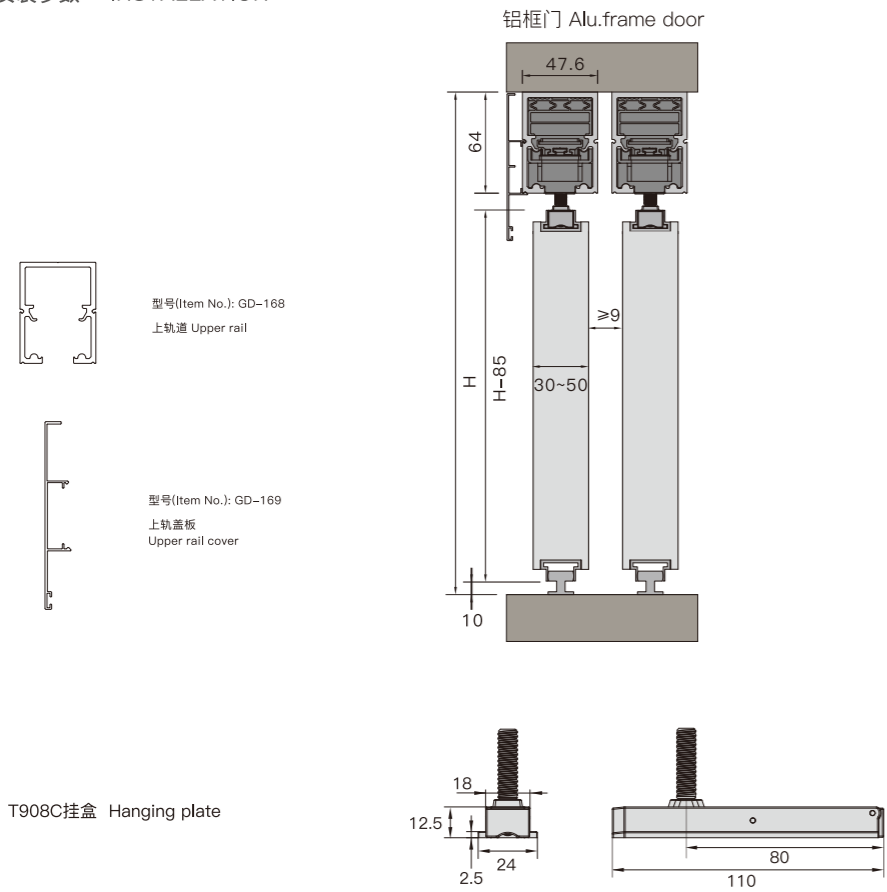
调整轨道长度 (两边需裁切相同长度A)  
Adjust the alu. track length (cut same length A at both side)



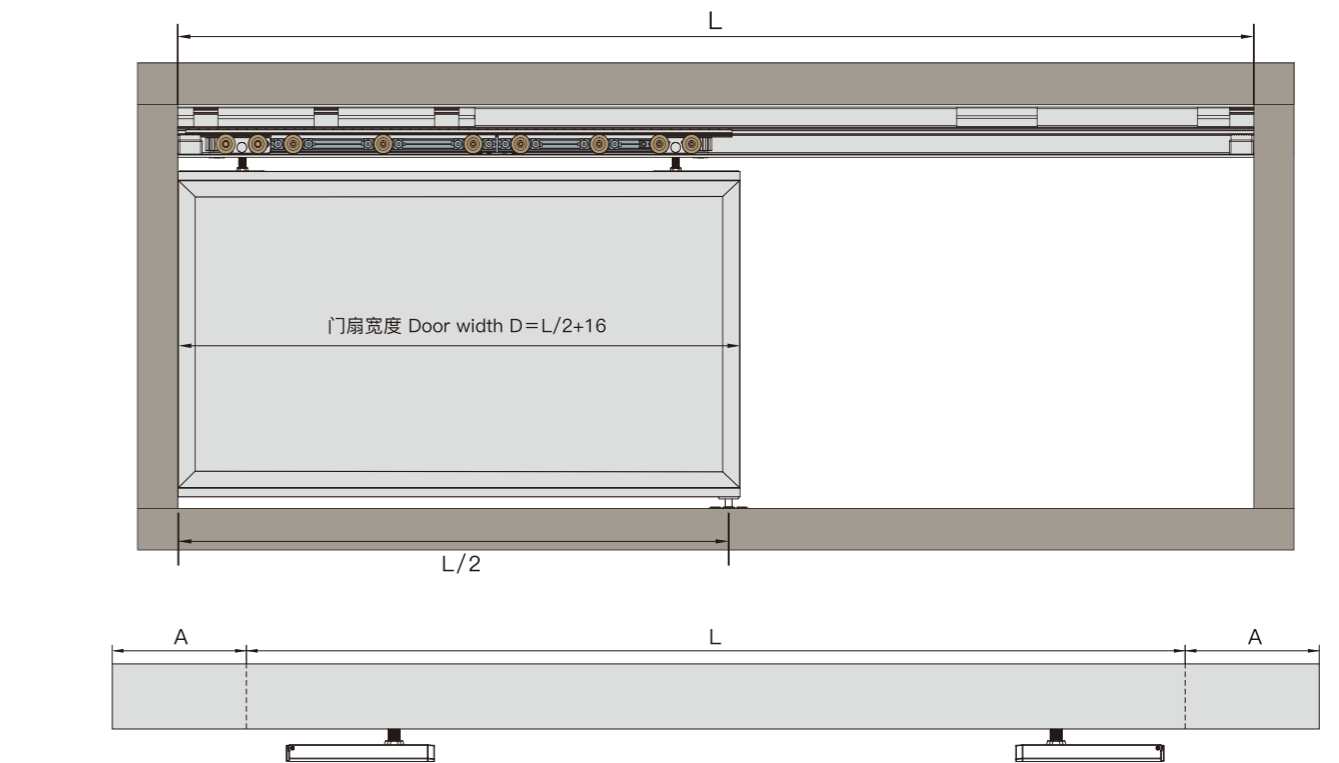
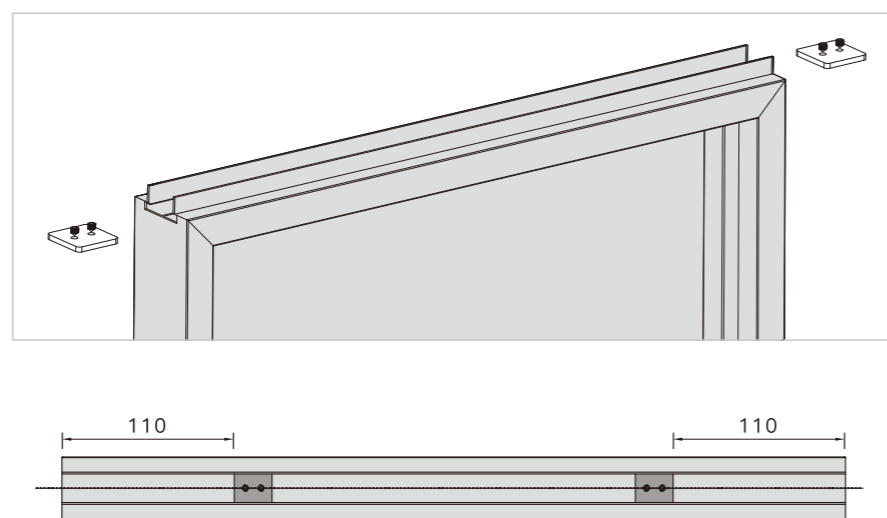
**T908C 磁悬浮电动吊滑轮 (铝框门)**

ELECTRIC MAGNETIC SUSPENSION HANGING ROLLER SERIES (ALU.FRAME DOOR)

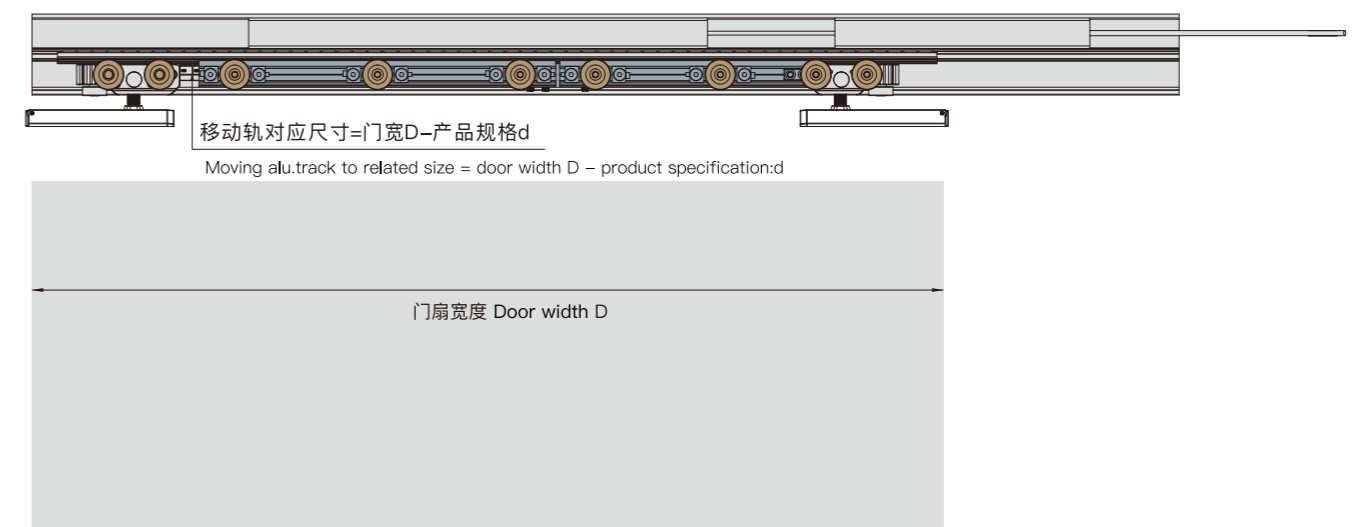
安装参数 INSTALLATION



安装挂盒限位件  
Install hanging plate stopper

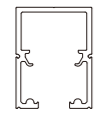


调整轨道长度 (两边需裁切相同长度A)  
Adjust the alu. track length (cut same length A at both side)



**T908D 磁悬浮电动吊滑轮 (玻璃门开槽)** ELECTRIC MAGNETIC SUSPENSION HANGING ROLLER SERIES (GLASS DOOR NEED SLOTTING)

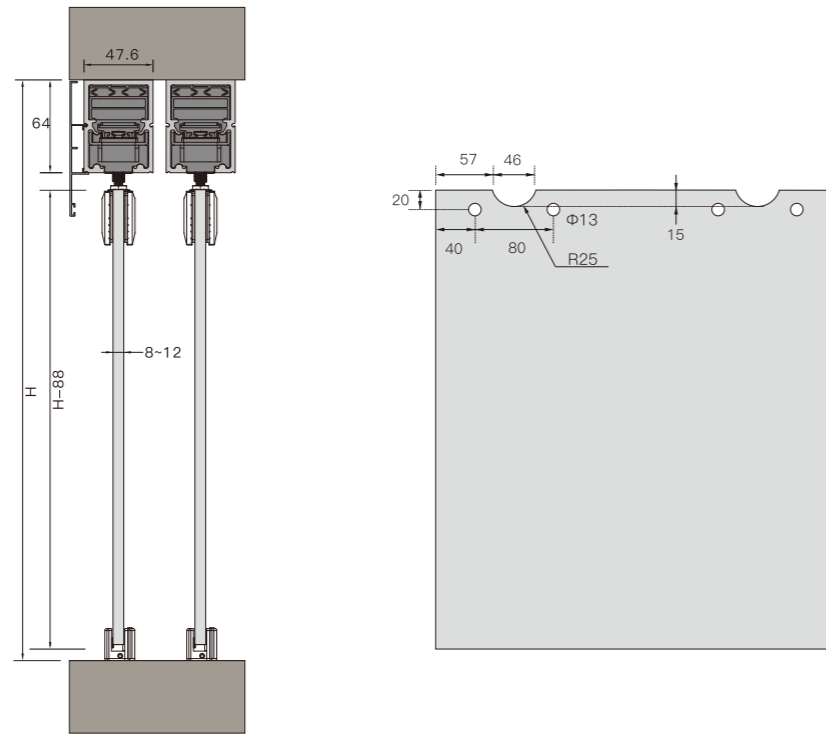
安装参数 INSTALLATION



型号(Item No.): GD-168  
上轨道 Upper rail

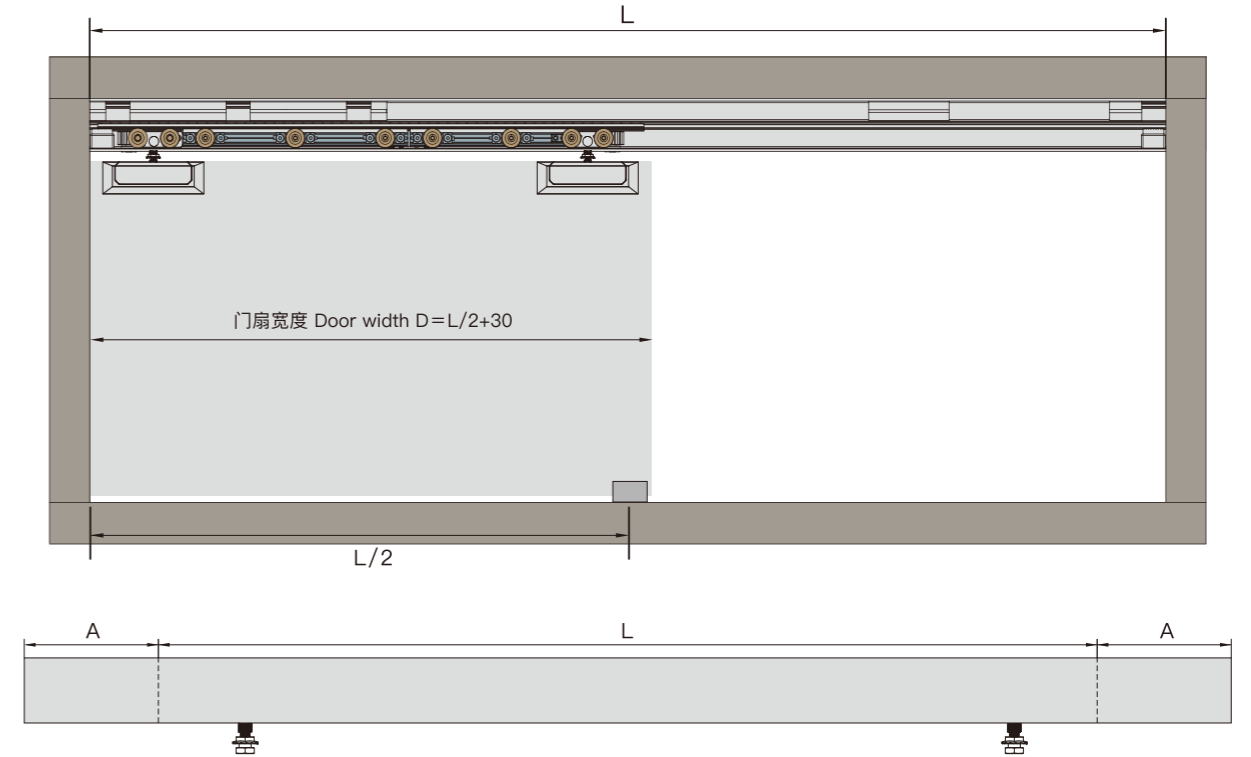
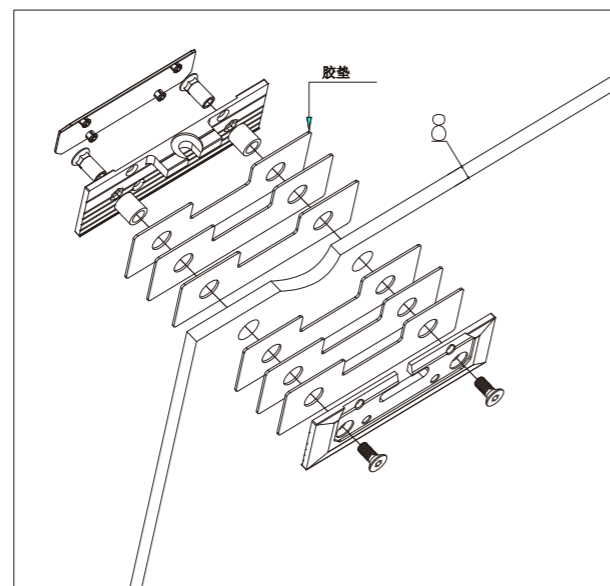


型号(Item No.): GD-169  
上轨道盖 Upper rail cover

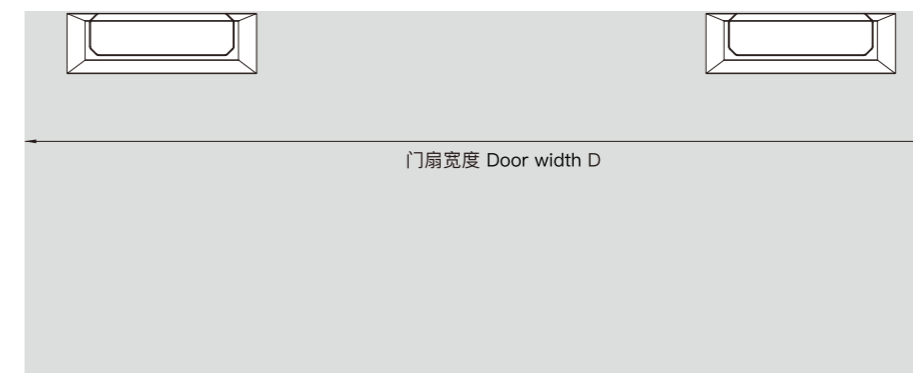
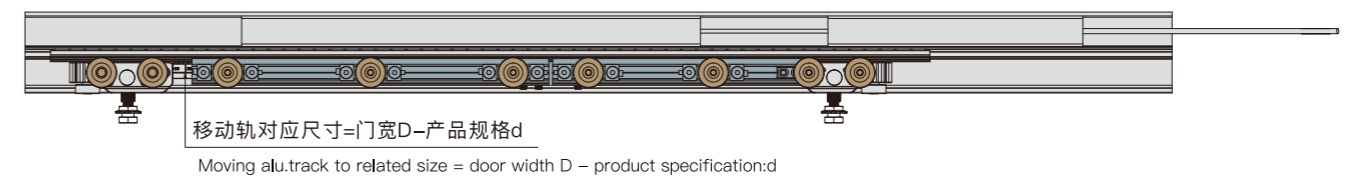


安装玻璃挂板  
Install glass plate

玻璃厚度 Glass thickness	8mm	10mm	12mm
单边胶垫数量 Qty of plastic spacer for one side	3	2	1

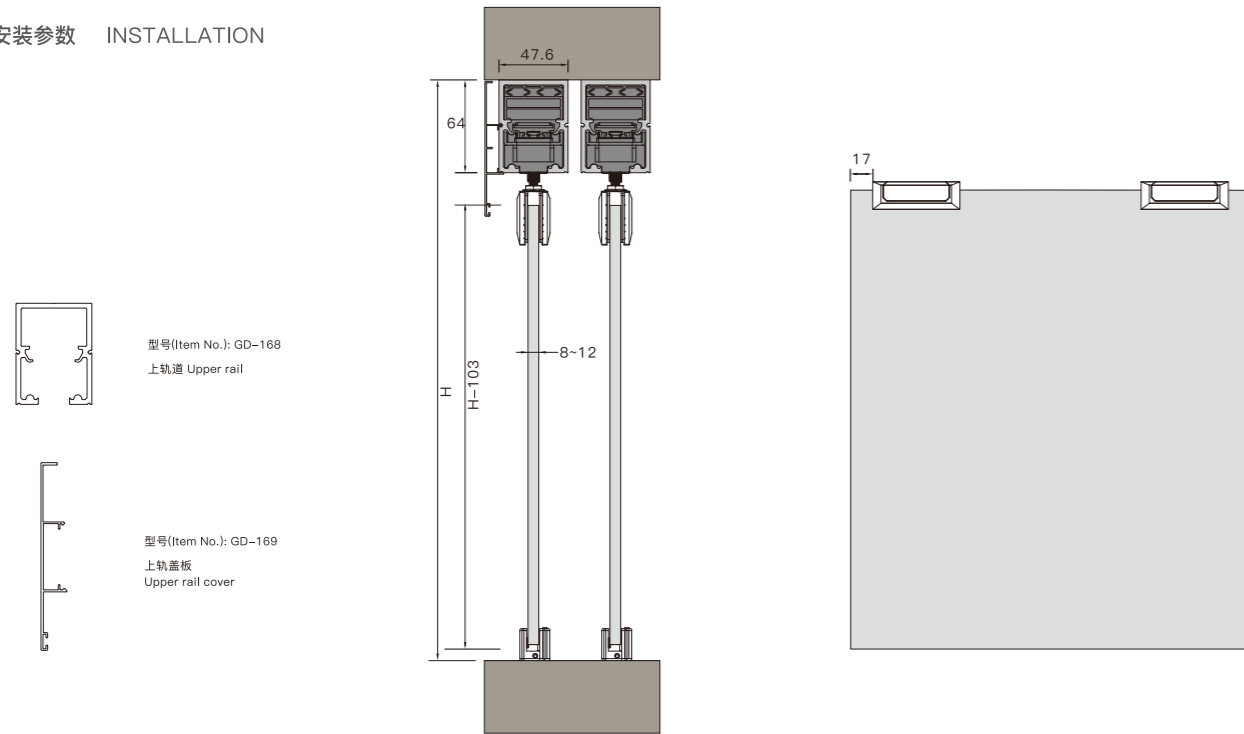


调整轨道长度 (两边需裁切相同长度A)  
Adjust the alu. track length (cut same length A at both side)



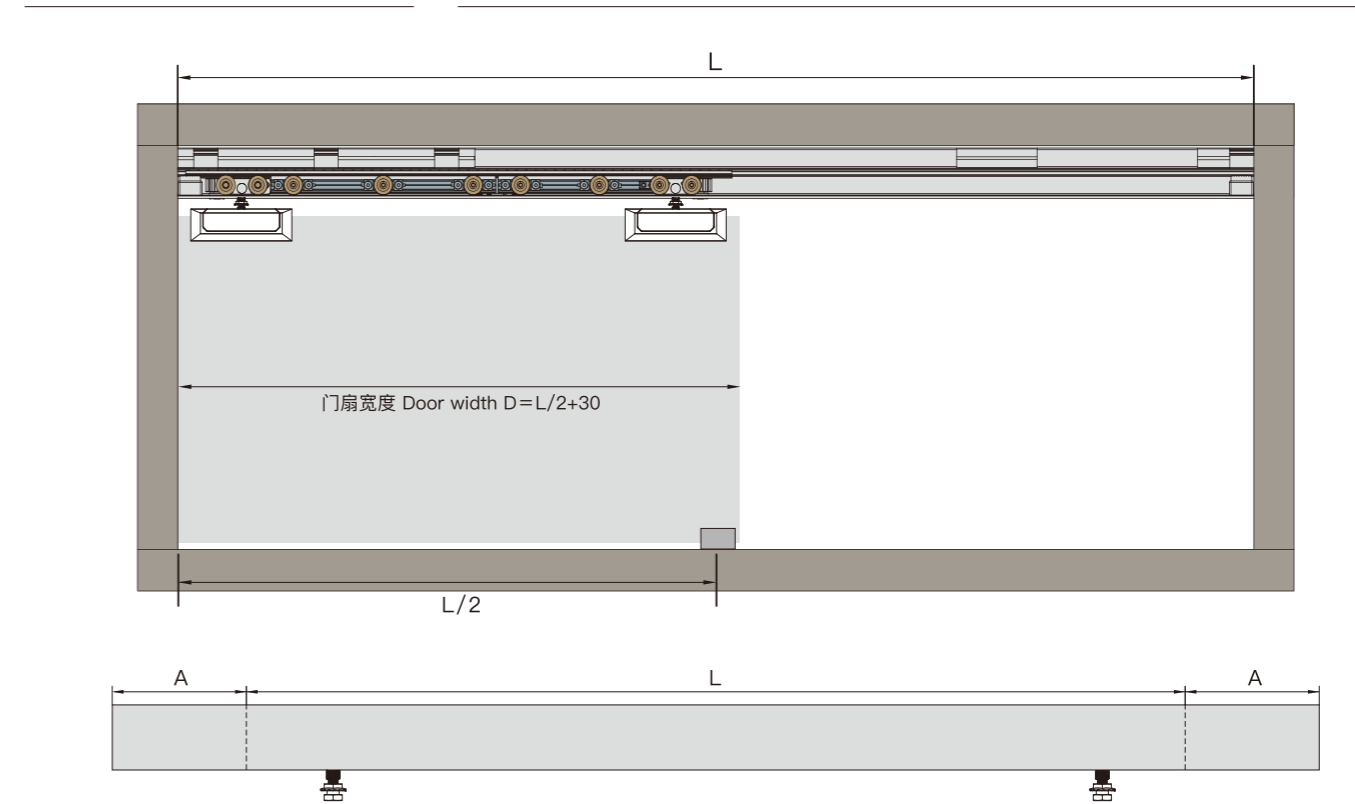
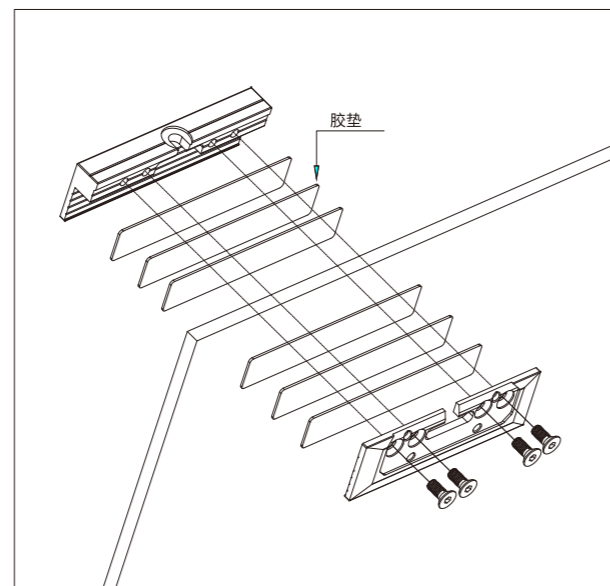
**T908E** 磁悬浮电动吊滑轮 (玻璃门不开槽) ELECTRIC MAGNETIC SUSPENSION HANGING ROLLER SERIES (GLASS DOOR WITHOUT SLOTTING)

安装参数 INSTALLATION

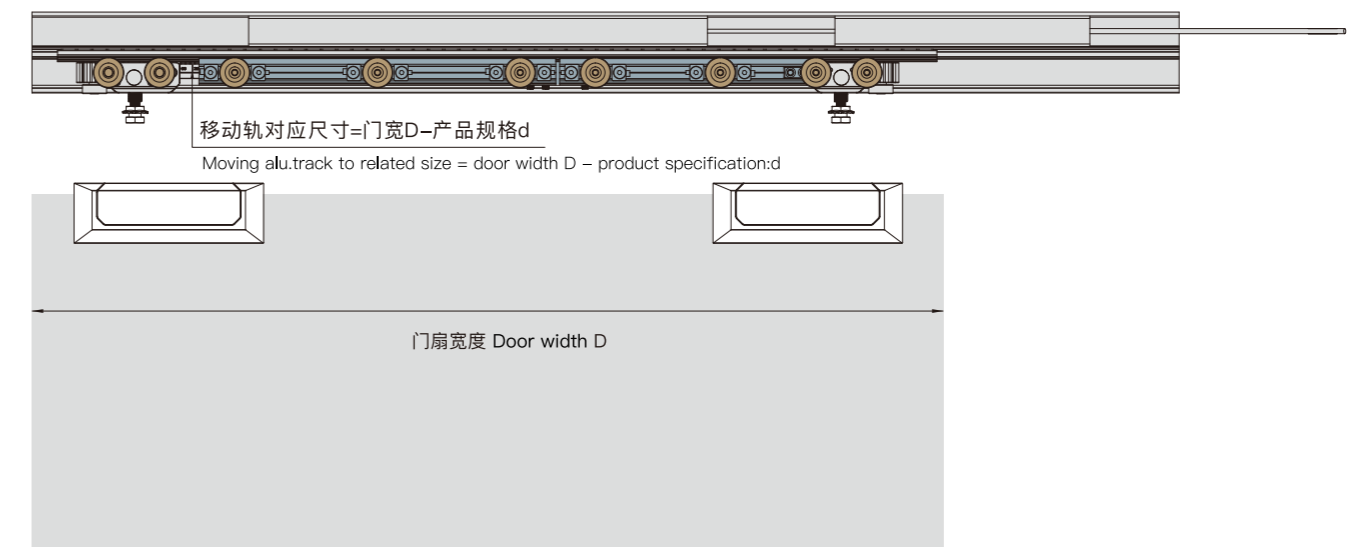


安装玻璃挂板  
Install glass plate

玻璃厚度 Glass thickness	8mm	10mm	12mm
单边胶垫数量 Qty of plastic spacer for one side	3	2	1



调整轨道长度 (两边需裁切相同长度A)  
Adjust the alu. track length (cut same length A at both side)



# 固定门配件

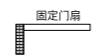
## T906C FIXED DOOR ACCESSORIES

配件名称 Accessories	数量 Qty	配件图 Drawing
T906C固定门上配件 T906C Upper fitting	2	
T906C固定门下配件 T906C Bottom fitting	2	
ST4*30十字沉头自攻螺丝 ST4*30 Wooden screws	4	
M5紧定螺丝 M5 screw	8	
2.5mm六角匙 2.5mm allen key	1	
12-6外六角调节扳手 12-6spanner	1	

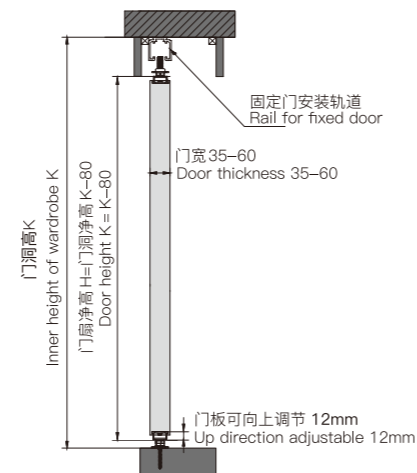
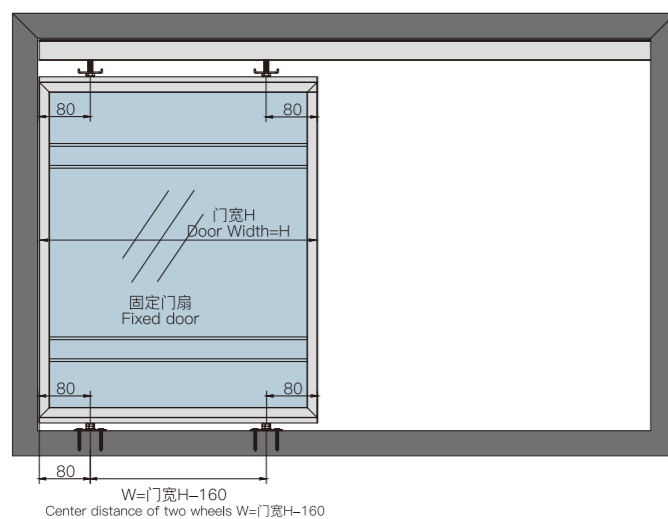
**产品应用说明:**  
Remark:

该产品适用于安装吊轮产品的固定门(铝框门)使用, 通过T906C 固定门上配件与固定轨定位, 门扇通过T906C 固定下配件固定位置, 使地面承重。

This product is suitable for the fixed door (aluminum frame door) which is installed with partition sliding door system. It is positioned by the upper fittings and rail of the fixed door, to ensure the door installed properly.

门扇宽度 Door Width	单门承重范围 Loading capacity/door	适装门厚 Door thickness	安装方式 Installation
530mm-1200mm	60-100Kg	35-60mm	

**门洞及门板的尺寸 Wardrobe dimension**



# T912

## T912幽灵门双向缓冲系列 INVISIBLE SLIDING DOOR

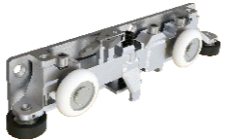

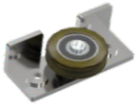


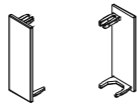




隐藏轨道式隔断门;  
专利产品, 缓冲行程60mm;  
承重80KG, 不易变形;  
趟门防脱系统;  
可移动缓冲定位;  
灵活调节, 轻松便捷;  
造型优美, 顺滑静音;  
简单便捷, 快速安装;  
门宽800~1220mm;  
门洞宽: 533-953mm(门洞全开), 650-1070mm(门洞不全开)。

Concealed rail partition door;  
Patented product, soft close for 60mm;  
80KG loading capacity, not easy to deform;  
Anti fall off sliding door system;  
Removable damper positioning;  
Flexible adjustment, easy and convenient;  
Elegant design, smooth and silent;  
Easy installation;  
Door width 800~1220mm;  
Doorway width: 533-953mm (door fully open), 650~1070mm (door partially open).

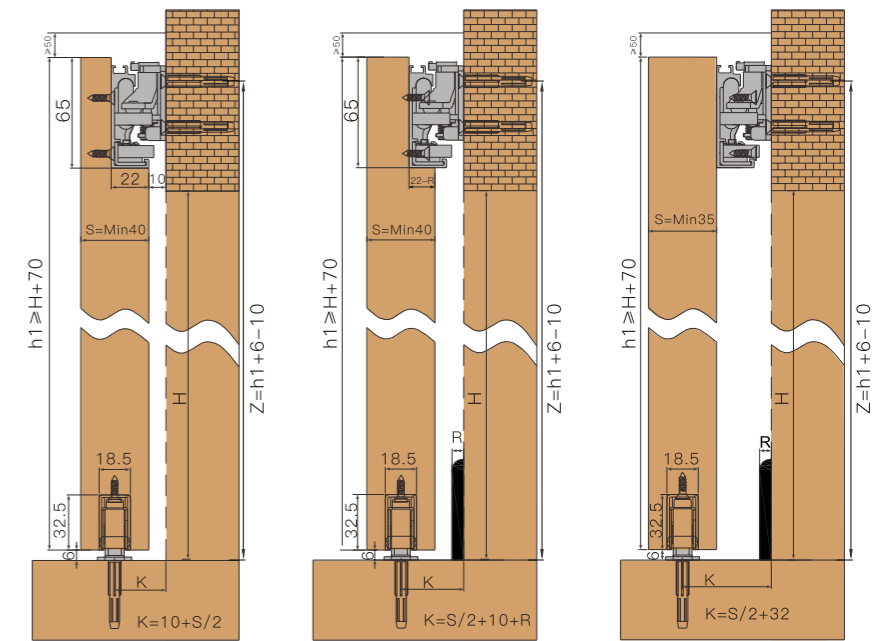


T912

配件名称 Accessories	数量 Qty	3D示意图 3D sketch
主支架 Upper Runner	1	
缓冲器 Soft close device	2	
侧边轮 Side Runner	2	
下定位轮 Down Guide Roller	1	
地轮 Down Runner	2	
左右边盖 End plugs	1	
轨道 Rail	1	
下轨道 Down Rail	1	

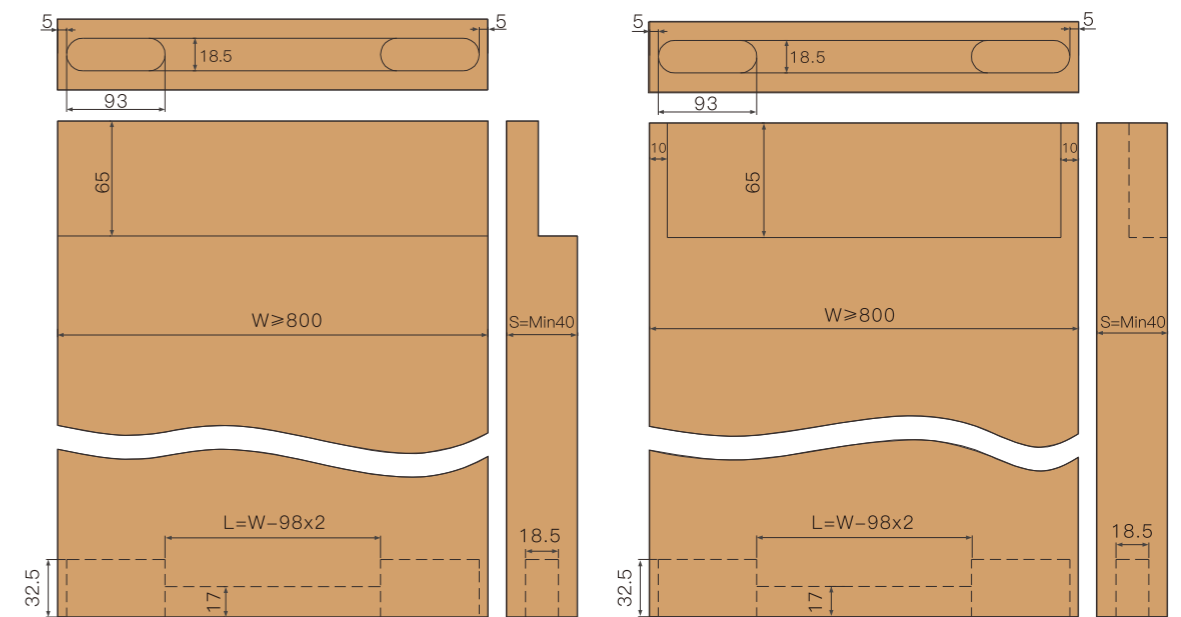
门板尺寸参考 Door size

H=门洞高 Doorway Height  
 h1=门高 Doorheight  
 K=下定位中心到墙面距离  
 Distance from the bottom positioning center to the wall  
 R=踢脚线厚度 Thickness of baseboard  
 S=门板厚度 Thickness of door panel  
 Z=支架螺丝孔定位高度  
 Height of bracket screw hole positioning



轨道安装尺寸 Rail installation size

L=地轨长度 Ground rail length  
 S=门板厚度 Door thickness  
 W=门宽 Door width



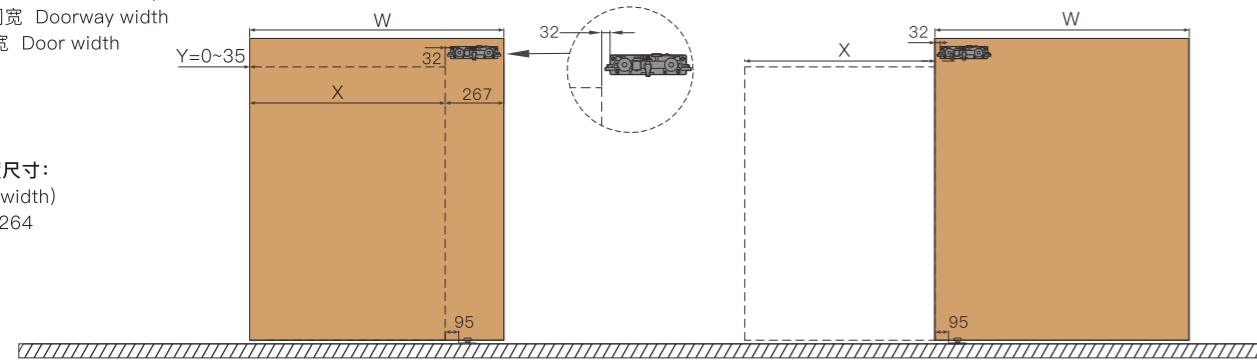
木门模式一(门洞全开) Wooden door installation mode 1( door completely opening)

Y=门的重叠距离 Overlap distance of doors

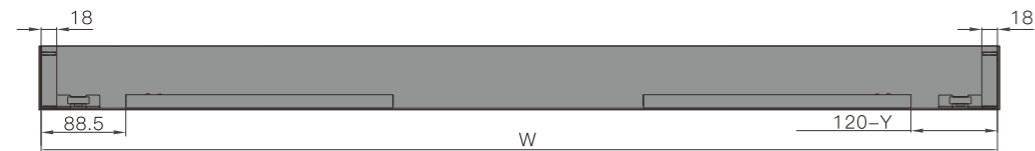
X=门洞宽 Doorway width

W=门宽 Door width

门宽度尺寸:  
(Door width)  
 $W=X+264$



缓冲器安装尺寸 Damper installation size



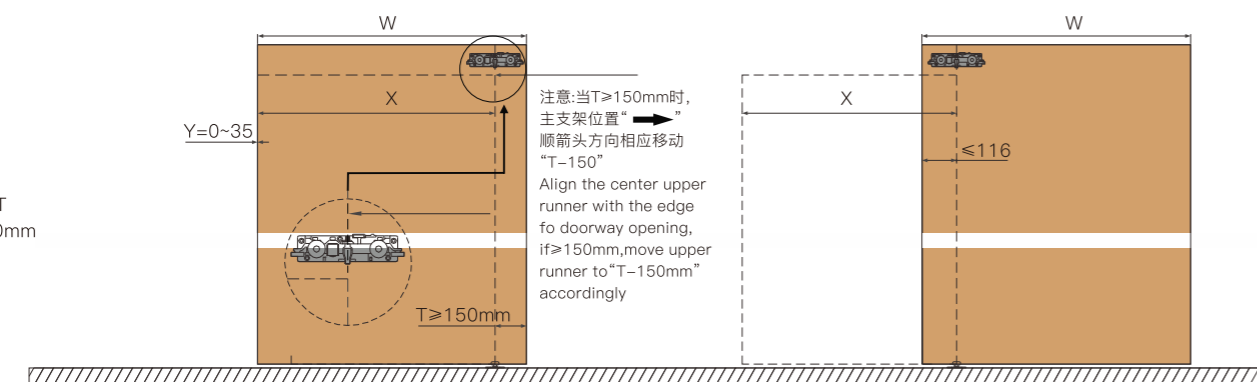
木门模式二(门洞未全开) Wooden door installation mode2( door partially opening)

T=门宽-门洞尺寸 Door width-doorway width

X=门洞宽 Doorway width

W=门宽 Door width

$W=X+T$   
 $T \geq 150\text{mm}$



缓冲器安装尺寸 Damper installation size

